



Unique Group

**BRITLIFT**   
INNOVATION IN LIFTING



[www.uniquegroup.com](http://www.uniquegroup.com)

# BRITLIFT: INNOVATION IN LIFTING

## OUR MISSION

To provide safe and secure solutions for lifting operations and to help ensure that the correct and most suitable equipment is used for every lift.

## OUR VISION

To be globally recognised as one of the most forward thinking and innovative below the hook designers and manufacturers and to build strong partnerships within the industry to facilitate the continued progress of safety within lifting.

Britlift was established to drive innovation, creativity, flexibility and improve customer service. We can only achieve this through effective and clear communication with both our suppliers and valued client base.

## OUR DIFFERENTIATORS

At Britlift, we pride ourselves on these unique qualities, because we are:



# WHAT DO BRITLIFT DO?

## LIFTING BEAMS

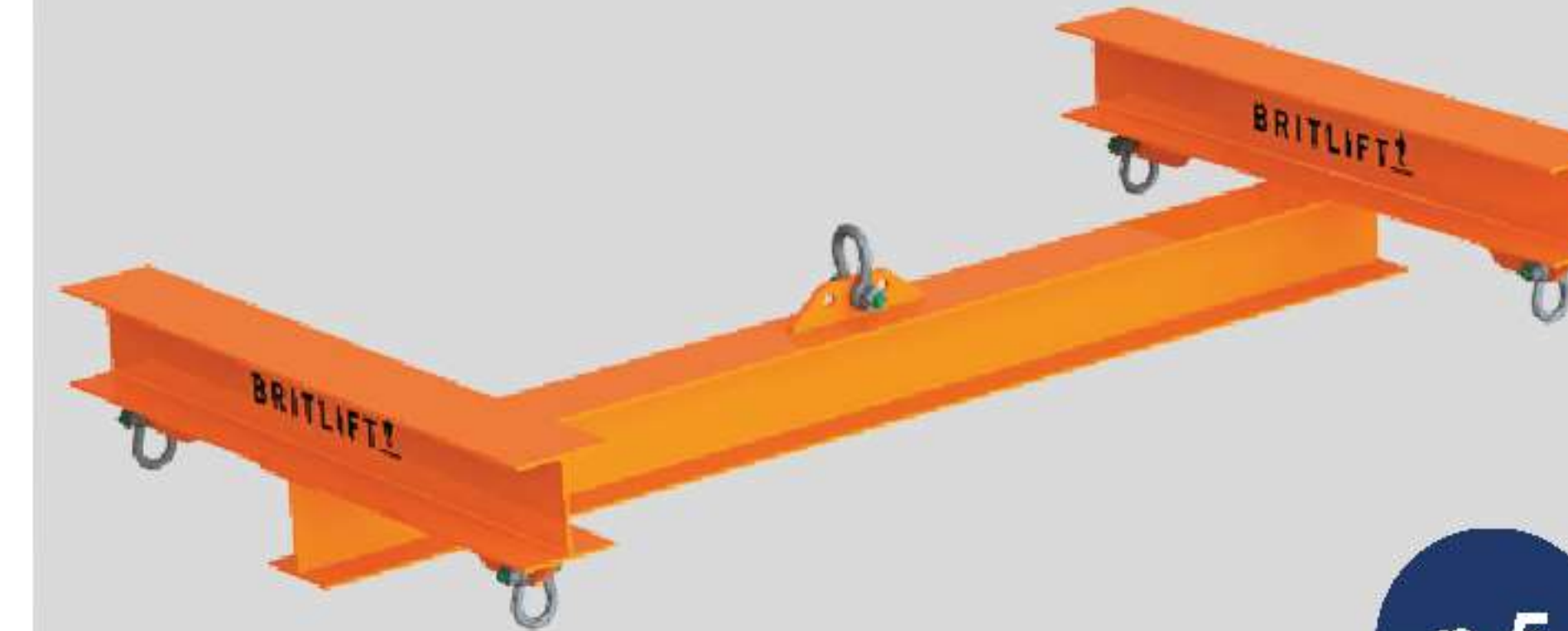
Common solutions for indoor and other low height (low headroom) situations.



p.3

## LIFTING FRAMES

Lifting Frames or Spreader Frames are ideal for 4-point lifts.



p.5

## MODULAR SPREADERS

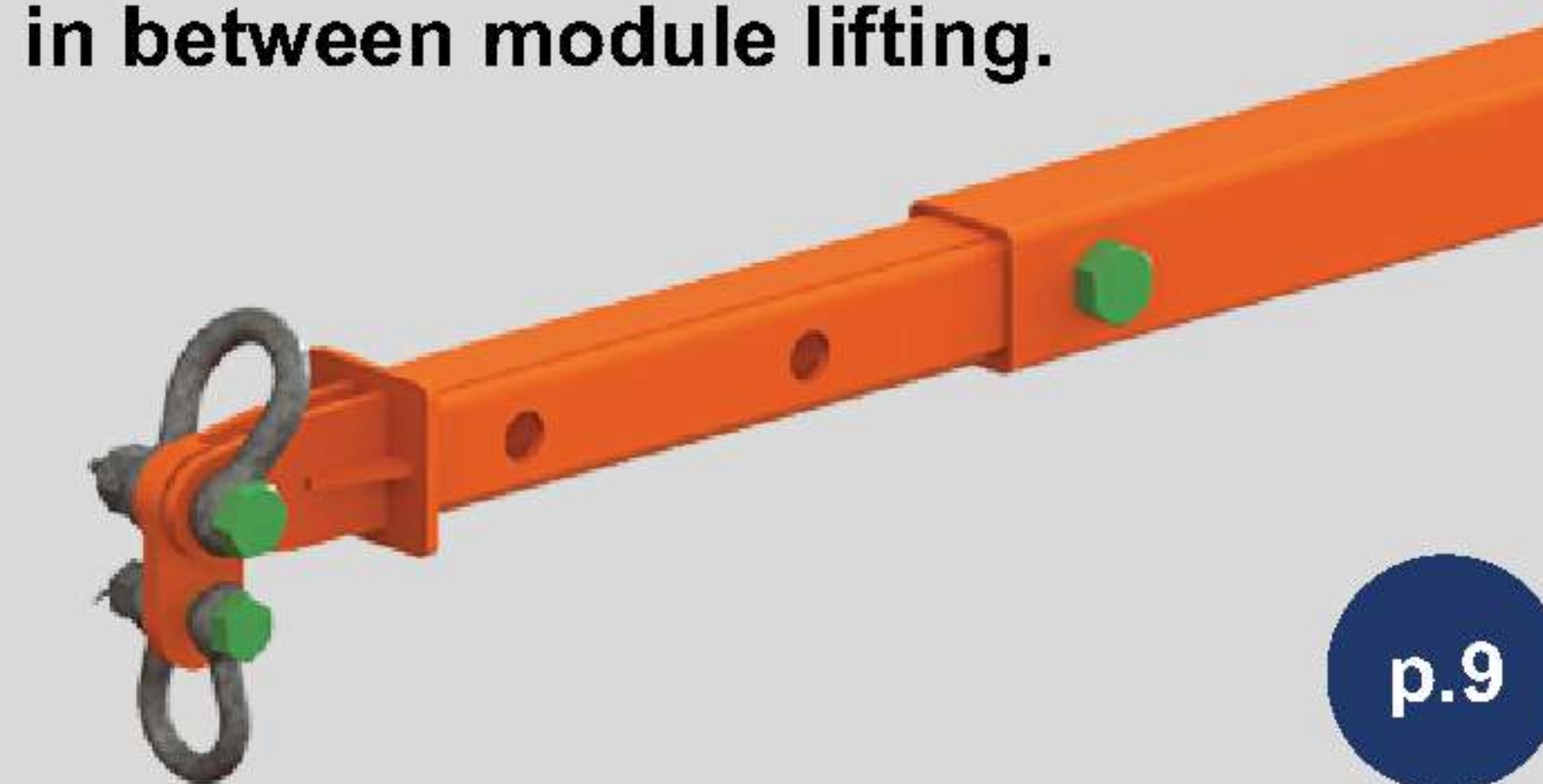
The LIGHTEST traditional modular spreader on the market.



p.7

## TELESCOPIC SPREADERS

The perfect solution for lifting modular units where adjustments are required in between module lifting.



p.9

## CERTIFICATION & SERVICES

Britlift can design and manufacture in accordance with any global standards, upon request.



p.11

## CONSULTANCY

Britlift offer a completely customised service suited to your needs.



p.12







# LIFTING BEAMS

## KEY FEATURES OF LIFTING BEAMS

Lifting beams are common solutions for indoor and other low height (low headroom) situations such as movements for Rail or where a direct connection to the crane hook is required. They are also often used where multiple bottom connection points (or adjustability) are required. Britlift design and manufacture lifting beams from capacities as low as 100kg to in excess of 250 tonnes, with lead times as low as 1 week (where stock material is used) to 3 weeks.



## BENEFITS

-  Custom designed to fit your specific project requirements.
-  Made to suit multiple different lifts through the use of strip lugs/different fixed lifting lugs. Beam trolleys can be added for full adjustability.
-  Through clear and regular communication we will always supply the best solution.
-  CE Marked and compliant with BS EN 13155, LOLER, PUWER, EC Machinery Directive.
-  Capacities from 100kg to in excess of 250 tonne, and lengths from 0.5m up to 30m.
-  Comes with an easy to use User Instruction in PDF format for safe storage.



Counterweight Lifting Beam – WLL 2.5 tonne

*Britlift can also design and supply you with all the supporting rigging, including chain/wire rope slings and shackles etc.*

# LIFTING FRAMES

## KEY FEATURES OF LIFTING FRAMES

Lifting Frames or Spreader Frames are ideal for 4-point lifts where there is a low headroom requirement, or where a cascading arrangement of spreader beams cannot be used. Our engineers have years of experience designing and manufacturing these frames and can help ensure that you get the right frame for your specific lift.



## RIGGING

Britlift can also design and supply you with all the supporting rigging including chain/wire rope slings, shackles etc.

## BENEFITS



Custom designed to fit your specific project requirements.



Through clear and regular communication we will always supply the best solution.



Capacities from 100kg to in excess of 100 tonne, and up to 15m x 15m (or more).



Made to suit multiple different lifts through the use of strip lugs/different fixed lifting lugs. Beam trolleys can be added for full adjustability.



CE Marked and compliant with BS EN 13155, LOLER, PUWER, EC Machinery Directive.



Comes with an easy to use User Instruction in PDF format for safe storage.

## MODULAR SPREADER FRAME

Part of our modular spreader range, you can utilise existing modular spreader struts by adding corner pieces to create a modular frame.

Lightweight, adjustable, easy to store and transport, these modular frames can be re-assembled to suit different lifts.



# MODULAR SPREADER BEAMS

## KEY FEATURES OF THE TRADITIONAL (T) MODULAR BEAM

The Britlift traditional modular spreader beam (T-Series) is available off-the-shelf and in a huge range of standard sizes. The T-Series has been optimised to make it the lightest traditional modular system in the world which helps to ease the burden upon riggers, and speed up assembly - particularly for the heavier duty beams.

**CE** CE Marked in accordance with EN13155, EC Machinery Directive, LOLER, PUWER. Conforms with most global lifting standards.

**✓ IN STOCK**  
AVAILABLE NEXT DAY



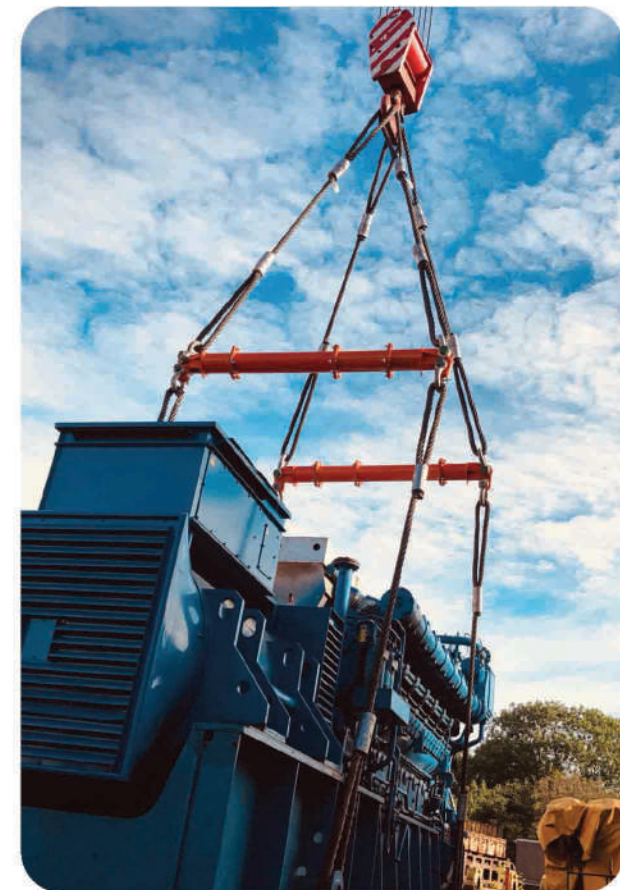
SIZES 110 TONNE +  
MADE TO ORDER

- T4
- T8
- T13
- T24
- T34
- T50
- T70

<b>MAXIMUM CAPACITY</b>	4 TONNE	8 TONNE	13 TONNE	24 TONNE	34 TONNE	50 TONNE	70 TONNE
<b>MAXIMUM SPAN</b>	4.5 M	4.5 M	6.5 M	8 M	10 M	13 M	14 M
<b>SELF-WEIGHT AT MAX LENGTH</b>	36 KG	37 KG	81 KG	164 KG	247 KG	482 KG	951 KG

## BENEFITS

-  Lightest system on the market.
-  Off the shelf - In stock, available today.
-  Easy to transport - All beams in this system can be broken down into individual components which range from 0.25 - 6m.
-  Versatile - Can be reconfigured to suit multiple lists of varying sizes.
-  Custom lengths can be manufactured.
-  Additional options - NDT, third party verification /witnessing, project specific proof load testing, material certification and custom paint spec available.
-  Heavy lift - Standard sizes available from 110 tonne up to 1500 tonne.



51.0te engine lift using 2x T50 Spreader Beams

# TELESCOPIC SPREADER BEAMS

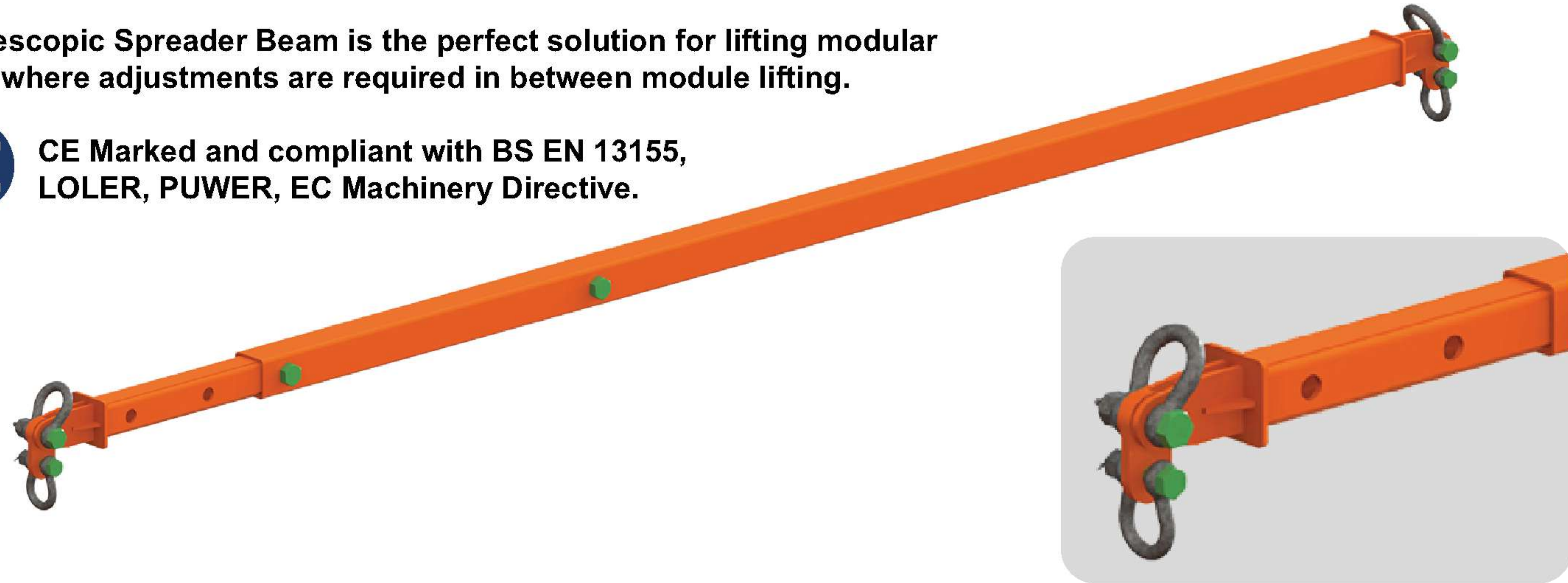
## KEY FEATURES OF TELESCOPIC SPREADERS

Telescopic Spreader Beams are custom fabricated item that operates in the same way as the modular spreader beams but makes adjustment a lot easier and quicker. The main thing to consider when choosing between this system and a modular system is: which is more important, self-weight or speed of adjustment. Telescopic Spreaders are roughly 50% heavier than their modular sibling but adjustment is made by pulling a pin and sliding, as opposed to unscrewing and re-screwing 4-8 bolts.

A Telescopic Spreader Beam is the perfect solution for lifting modular units where adjustments are required in between module lifting.



CE Marked and compliant with BS EN 13155, LOLER, PUWER, EC Machinery Directive.



# CASE STUDY: TELESCOPIC SPREADER BEAM

## PROJECT: MODULAR BUILDING LIFTING IMPROVEMENTS

The client approached us to help improve and streamline their lifting operation. Their existing system was a fixed length (self-weight of 4.2 tonne) lifting beam rig (1 over 3) which was difficult to handle and adjust.

We designed and supplied 6 off 11 tonne telescopic spreader beams (3 off 2.5m - 4m and 3 off 4m – 6m) reducing rigging weight by almost 50%, to 2.2 tonne. These allowed a quicker adjustment during installation of different sized modules, reduced the overall rigging weight and improved manual handling.

### Manufacture Time:

- 3 weeks

### Additional Supply:

- Chain Slings, Shackles, Proof Load Test, Warehouse & on-site visit, Rig Plan

The client ordered a second set of six only 3 weeks after the first supply. A third set was then ordered 3 months after that.



# CERTIFICATION

## STANDARD CERTIFICATION

All Britlift manufactured products, as standard, comply with the following global standards:

### U.K. and Europe:

- EC Machinery Directive - 2006/42/EC
- BS EN 13155:2003+A2:2009 - Cranes. Safety. Non-fixed load lifting attachments
- LOLER: 1998 - Lifting Operations and Lifting Equipment Regulations
- PUWER: 1998 - Provision and Use of Work Equipment Regulations

### Global

- ISO 17096-2015 - Cranes. Safety. Load Lifting Attachments

### United States

- ASME B30.20:2013 Below-the-Hook Lifting Devices
- ASME BTH-1:2017 Design of Below-the-Hook Lifting Devices

## SPECIFICATION STANDARDS

Britlift can design and manufacture in accordance with any global standards, upon request. For further information, please see our website or contact us now.



# SERVICES

## ADDITIONAL SERVICES

A core component of Britlift's business is consultation. Our engineers have years of experience within the lifting industry and are available to help you complete your projects on time and on budget.



# CASE STUDY: CUSTOM DESIGN & FABRICATION

## PROJECT: CERN YOKE LIFTER

The European Organization for Nuclear Research, known as CERN, is a European research organization that operates the largest particle physics laboratory in the world.

Britlift were invited to tender and were successful with our bid due to the fact we redesigned and simplified the system and designed it to be operated easily and efficiently by just one person, unlike their previous system. A very tight tolerance on the allowable deflection of +/- 1mm was critical. The system was designed to support and clamp along the entire length of the load, holding it in place as the lift is carried out.

### Manufacture Time:

- 12 weeks

### Additional Supply:

- Calculations Report, Export Packing



# CASE STUDY: DESIGN, FABRICATION & LIFT PLAN

## PROJECT: TATA CHEMICALS (BRITISH SALT)

Britlift were initially approached by the manufacturer of the new heat exchanger but through the consultation stage of the project it became apparent that the client needed our support for the whole lift plan. We worked with the client through every stage and it resulted in a successful, safe and efficient removal of the old exchanger and installation of the new. A 40 tonne lifting beam, 25 tonne tailing beam, 50 tonne modular spreader beam and 4 off Lug Connection Blocks (for direct connection to the exchanger). Manufacture was expedited to achieve delivery for site closure.

### Manufacture Time:

- 4 weeks

### Additional Supply:

- Poly Round Slings, Wire Rope Slings, Shackles, High Tensile Custom Pins, Rig Plan, FEA Report, Lifting Consultation & Site Visit.







**Unique Group**

**BRITLIFT**   
INNOVATION IN LIFTING

*Spreader Beams / Lifting Beams / Custom Design*  
*Innovative / Flexible / Approachable*

[buoyancyballast@uniquegroup.com](mailto:buoyancyballast@uniquegroup.com)  
[www.uniquegroup.com](http://www.uniquegroup.com)

Follow us on

**Linked in** 