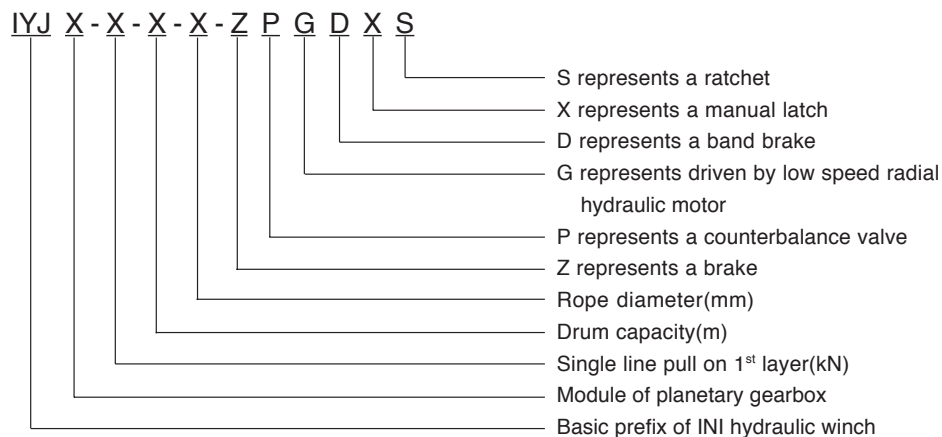


IYJ Hydraulic Winch Series

1. Brief Introduction

The IYJ hydraulic winch series use the patent technique of our company and consist of a variety of valve blocks with function of braking and single counterbalance valve, high speed hydraulic motor, Z type brake, KC type or GC type planetary gearbox, drum, frame and clutch. The user only needs to provide a hydraulic power pack and directional valve. Due to the winches fitted with diversified valve block, it not only simplified the hydraulic system, but also improved the reliability of the winches. In addition, the winches feature a high efficiency and power, low noise and energy consumption, and have a compact figure and good economic value. Therefore, the series have been widely applied to construction, petroleum, mining, geological drilling, ship and deck machinery. IYJ series hydraulic winches have been well sold in China, and also have been exported to the Middle-east, south-east Asia, India, Korea, Russia, Australia, US, Netherlands and so on.

2. Model Options



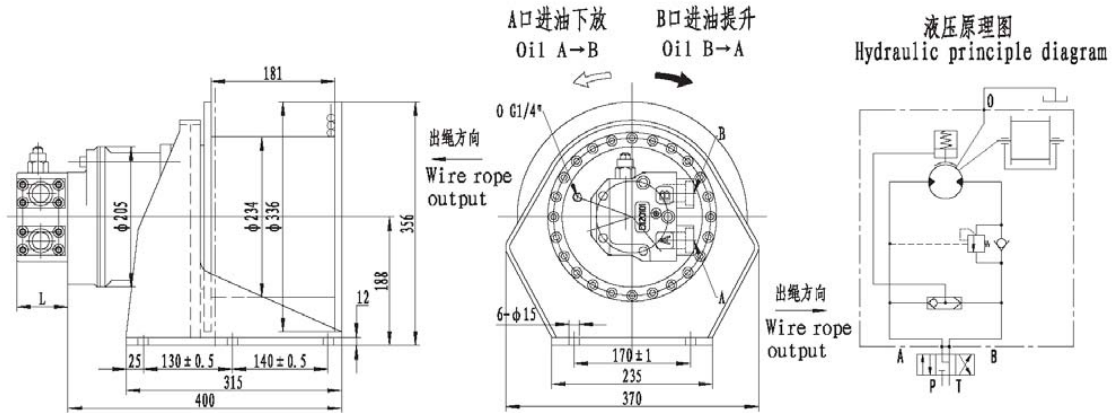
3. Options Example

IYJ334-75-88-22-ZPG represents that the hydraulic winch adopts a three stage planetary gearbox, and that the modules of the gearbox are 3,3 and 4 respectively. The rated single pull on 1st layer is 75kN, drum capacity is 88, rope diameter is 22 mm. the winch is fitted with brake, counterbalance valve, and is driven by a high speed axial hydraulic motor.

4. Parameter Description

- a. The total displacement represents the oil flow supply per revolution of the drum(mL/r).
- b. The oil flow supply indicates the theoretical flow of the pump when the volumetric efficiency is considered to be 90-94%.
- c. Maintain mandatory minimum of three wraps rope to be left on the drum at all times for safety.
- d. The working pressure differential represents the pressure drop between port A and port B.
- e. This winch series can be equipped with a rope roller, alarm system for the last three winding ropes, rope-guider, output shaft for rotation speed measurement, these items are optional. More options are available please contact the sales department.

5. There are other winch series available, such as IYJ-L free fall hydraulic winch series, IYJ-C hydraulic mooring winch series, ISYJ hydraulic winch series for truck, INYJ internal hydraulic winch series and so on, please refer to other catalogs of our company or contact the sales department.



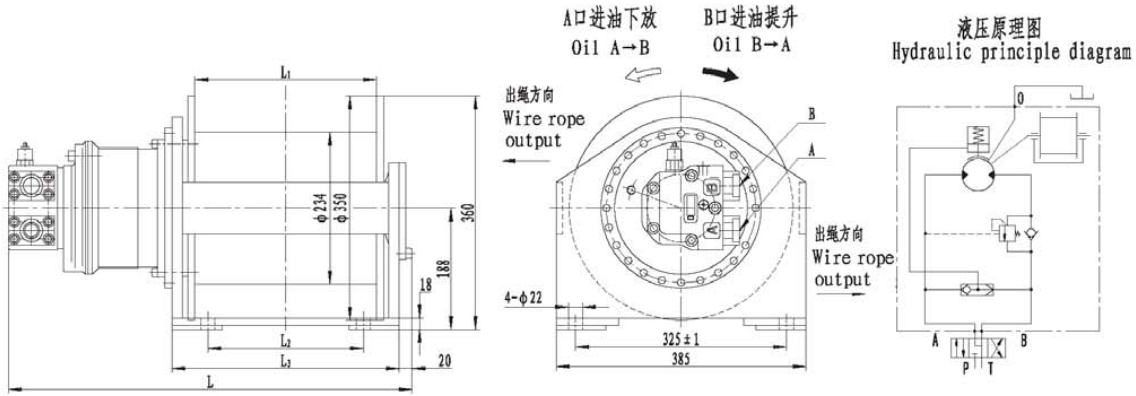
型号 Model	第一层 The 1st layer		总排量 Total displacement (ml/rev)	工作压差 Working pressure diff.(MPa)	供油流量 Oil flow supply (L/min)	钢丝绳直径 Rope diameter (mm)	层数 Layer (层)	容绳量 Wire rope capacity (m)	液压马达 型号 Hydraulic motor	行星减速器 型号 Gearbox model
	拉力(KN) Pull	绳速(m/min) Rope speed								
IYJ2.5A-5-73-8-ZP	5	60	370	14	30	8	1	16	INM05-75D60101	C2.5 i=5
							2	34		
							3	53		
							4	73		
IYJ2.5A-10-61-10-ZP	10	30	755	15.5	30	10	1	13	INM05-150D60101	C2.5 i=5
							2	28		
							3	44		
							4	61		
IYJ2.5A-15-40-11-ZP	15	48	1057	13.5	70	11	1	12	INM05-150120101	C2.5 i=7
							2	25		
							3	40		
IYJ2.5A-17.5-40-11-ZP	17.5	38	1337	13	70	11	1	12	INM05-200D120101	C2.5 i=7
							2	25		
							3	40		
IYJ2.5A-20-40-11-ZP	20	38	1337	14.7	70	11	1	12	INM05-200D120101	C2.5 i=7
							2	25		
							3	40		
IYJ2.5A-25-37-12-ZP	25	38	1337	18	70	12	1	11	INM05-200D120101P	C2.5 i=7
							2	24		
							3	37		

注：本系列绞车不允许载人，如有需要必须与本公司技术部门联系。

Note: The winch is not designed for operations involving lifting or moving personnel. If you need please contract the R&D department.

配流器选型 Distributors Model

供油流量(L/min) Supply oil flow	型号 Model	A	B	L
0-40	D60101	M22x1.5	M22x1.5	65
40-90	D120101	φ35	φ35	75



基型 Basic model	型号 Model	第一层 The 1st layer		总排量 Total displacement (ml/rev)	工作压差 Working pressure diff.(MPa)	供油流量 Oil flow supply (L/min)	钢丝绳直径 Rope diameter (mm)	层数 Layer (层)	容绳量 Wire rope capacity (m)	液压马达型号 Hydraulic motor	行星减速器 型号 Gearbox model	重量 Weight (Kg)
		拉力(KN) Pull	绳速(m/min) Rope speed									
1	IYJ2.5-5-93-10-ZP	5	60	370	13	32	10	1	21	INM05-75D60101	C2.5A i=5	130
								2	44			
								3	69			
								4	93			
2	IYJ2.5-10-93-10-ZP	10	60	645	15	56	10	1	21	INM05-130D120101	C2.5A i=5	130
								2	44			
								3	69			
								4	93			
3	IYJ2.5-12-85-12-ZP	12	56	830	14	67	12	1	25	INM05-170D120101	C2.5A i=5	160
								2	54			
								3	85			
								4	93			
4	IYJ2.5-15-85-12-ZP	15	53	955	16	70	12	1	25	INM05-200D120101	C2.5A i=5	160
								2	54			
								3	85			
								4	93			
3	IYJ2.5-18-109-13-ZP	18	48	1057	16	70	13	1	32	INM05-150D120101	C2.5 i=7	200
								2	69			
								3	109			
4	IYJ2.5-20-102-14-ZP	20	39	1337	14	70	14	1	30	INM05-200D120101	C2.5 i=7	200
								2	64			
								3	102			
4	IYJ2.5-22-130-14-ZP	22	39	1337	15.6	70	14	1	38	INM05-200D120101	C2.5 i=7	200
								2	82			
								3	130			
4	IYJ2.5-24-130-14-ZP	25	39	1337	18	70	14	1	38	INM05-200D120101	C2.5 i=7	200
								2	82			
								3	130			

注：本系列绞车不允许载人，如有需要必须与本公司技术部门联系。

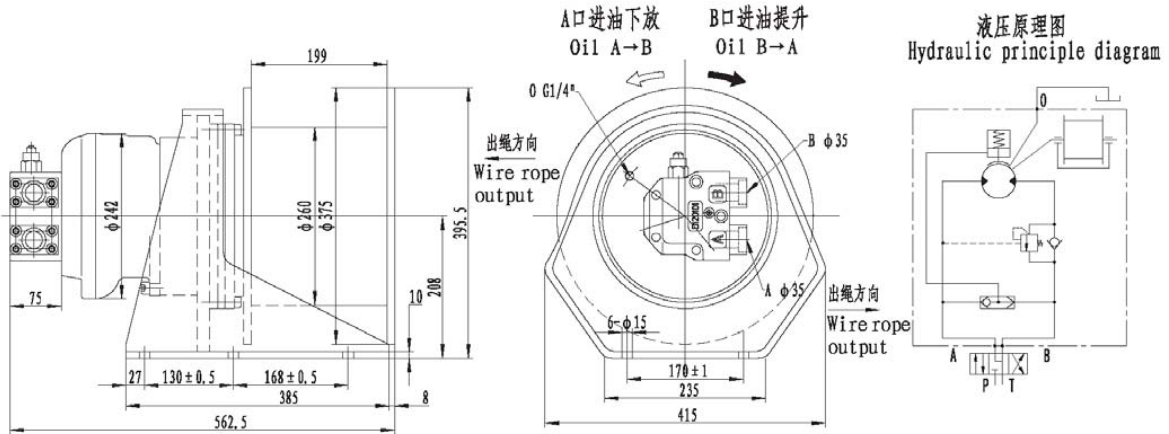
Note: The winch is not designed for operations involving lifting or moving personnel. If you need please contract the R&D department.

外形尺寸 Profile Dimension

	L1 (mm)	L2 (mm)	L3 (mm)	L (mm)
1	280	240	350	622
2	402	362	472	744
3	552	512	622	913
4	700	660	770	1100

配流器选型 Distributors Model

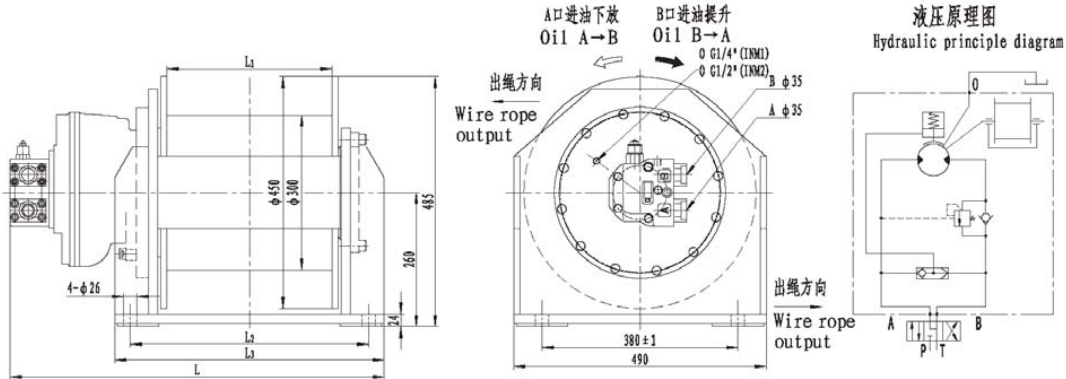
供油流量(L/min) Supply oil flow	型号 Model	A	B	L
0-40	D60101	M22x1.5	M22x1.5	65
40-90	D120101	φ 35	φ 35	75



型号 Model	第一层 The 1st layer		总排量 Total displacement (ml/rev)	工作压差 Working pressure diff. (MPa)	供油流量 Oil flow supply (L/min)	钢丝绳直径 Rope diameter (mm)	层数 Layer (层)	容绳量 Wire rope capacity (m)	液压马达 型号 Hydraulic motor	行星减速器 型号 Gearbox model
	拉力 (KN) Pull	绳速 (m/min) Rope speed								
IYJ3A-20-62-12-ZP	20	45	1407	14.5	80	12	1	13	INM1-200D120101	C3 i=7
							2	28		
							3	45		
							4	62		
IYJ3A-25-58-13-ZP	25	38	1701	15	80	13	1	12	INM1-250D120101	C3 i=7
							2	26		
							3	42		
							4	58		
IYJ3A-30-58-13-ZP	30	32	2030	15.2	80	13	1	12	INM1-300D120101	C3 i=7
							2	26		
							3	42		
							4	58		
IYJ3A-35-55-14-ZP	35	30	2198	16.4	80	14	1	11	INM1-320D120101	C3 i=7
							2	24		
							3	39		
							4	55		

注：本系列绞车不允许载人，如有需要必须与本公司技术部门联系。

Note: The winch is not designed for operations involving lifting or moving personnel. If you need please contract the R&D department.



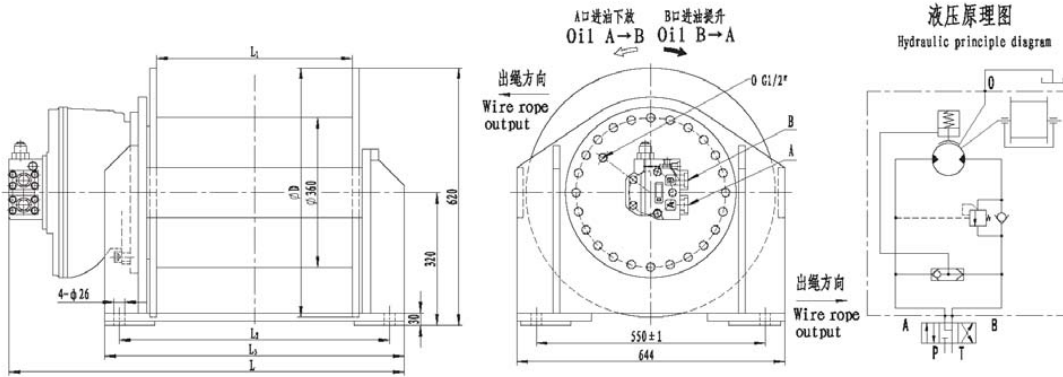
基型 Basic model	型号 Model	第一层 The 1st layer		总排量 Total displacement (ml/rev)	工作压差 Working pressure diff. (MPa)	供油流量 Oil flow supply (L/min)	钢丝绳直径 Rope diameter (mm)	层数 Layer (层)	容绳量 Wire rope capacity (m)	液压马达型号 Hydraulic motor	行星减速器 型号 Gearbox model	重量 Weight (Kg)
		拉力 (KN) Pull	绳速 (m/min) Rope speed									
1	IYJ3-20-76-14-ZP	20	43	1701	13.7	80	14	1	17	INM1-250D120101	C3 i=7	170
	2							36				
	3							57				
	4							76				
2	IYJ3-24-76-14-ZP	24	37	2030	13.8	80	14	1	17	INM1-300D120101	C3 i=7	170
	2							36				
	3							57				
	4							76				
2	IYJ3-25-99-14-ZP	25	37	2030	14.5	80	14	1	22	INM1-300D120101	C3 i=7	230
	2							47				
	3							73				
	4							99				
3	IYJ3-30-99-14-ZP	30	34	2198	16.8	80	14	1	22	INM2-320D120101	C3 i=7	230
	2							47				
	3							73				
	4							99				
3	IYJ3-32-92-16-ZP	32	55	2711.5	14.0	160	16	1	27	INM2-500D240101	C3D i=5.5	300
	2							58				
	3							92				
3	IYJ3-35-92-16-ZP	35	48	3107.5	13.2	160	16	1	27	INM2-600D240101	C3D i=5.5	300
	2							58				
	3							92				
4	IYJ3-40-120-16-ZP	40	48	3107.5	15.0	160	16	1	36	INM2-600D240101	C3D i=5.5	370
	2							76				
	3							120				
4	IYJ3-42-108-18-ZP	42	44	3426.5	14.4	160	18	1	32	INM2-630D240101	C3D i=5.5	370
	2							68				
	3							108				

外形尺寸 Profile Dimension

	L1 (mm)	L2 (mm)	L3 (mm)	L (mm)
1	245	387	447	625
2	320	462	522	750
3	450	592	652	880
4	587	729	789	1017

注：本系列绞车不允许载人，如有需要必须与本公司技术部门联系。

Note: The winch is not designed for operations involving lifting or moving personnel. If you need please contract the R&D department.



基型 Basic model	型号 Model	第一层 The 1st layer		总排量 Total displacement (ml/rev)	工作压差 Working pressure diff(MPa)	供油流量 Oil flow supply (L/min)	钢丝绳直径 Rope diameter (mm)	层数 Layer (层)	容绳量 Wire rope capacity (m)	液压马达 型号 Hydraulic motor	行星减速器 型号 Gearbox model	重量 Weight (Kg)
		拉力 (KN) Pull	绳速 (m/min) Rope speed									
1	IYJ4-40-89-16-ZP	40	60	3450	16.1	195	16	1 27 2 57 3 89	INM3-700D480101	C4A i=5	250	
	IYJ4-45-89-16-ZP	45	36	4361	14.4	148	16	1 27 2 57 3 89	INM2-630D240101	C4 i=7	210	
	IYJ4-50-92-18-ZP	50	36	4361	16	148	18	1 28 2 59 3 92	INM2-600D240101	C4 i=7	350	
2	IYJ4-54-92-20-ZP	54	36	5428.5	14.0	182	20	1 28 2 59 3 92	INM3-1000D480101	C4D i=5.5	390	
	IYJ4-60-111-20-ZP	60	32	6138	13.7	183	20	1 33 2 71 3 111	INM4-1100D480101	C4D i=5.5	480	
	IYJ4-62-111-20-ZP	62	32	5580	15.6	167	20	1 33 2 71 3 111	INM4-1100D480101	C4A i=5	480	
4	IYJ4-72-118-22-ZP	72	28	7238	14.1	188	22	1 35 2 74 3 118	INM4-1300D480101	C4D i=5.5	560	
	IYJ4-80-106-24-ZP	80	28	7238	15.9	188	24	1 32 2 67 3 106	INM4-1300D480101	C4D i=5.5	560	

外形尺寸 Profile Dimension

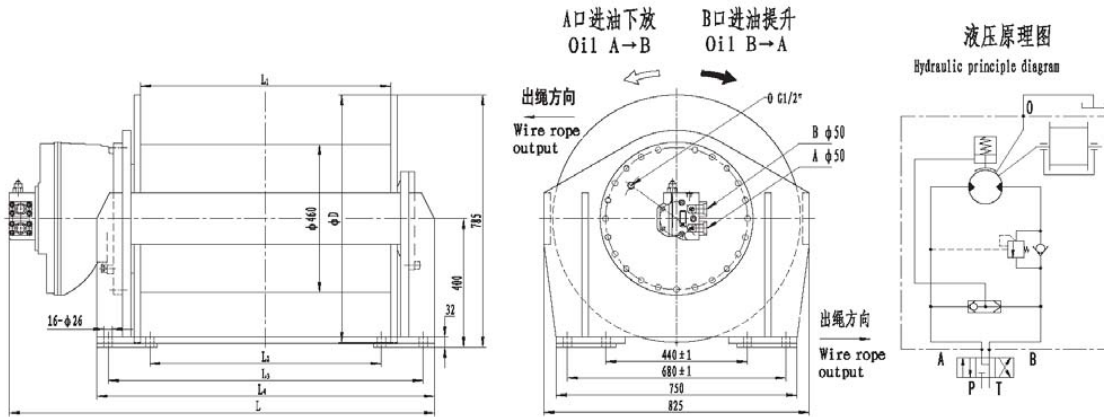
	L1 (mm)	L2 (mm)	L3 (mm)	L (mm)	D (mm)
1	372	552	622	833	520
2	470	650	720	931	540
3	566	746	816	1046	560
4	650	830	900	1130	600

注：本系列绞车不允许载人，如有需要必须与本公司技术部门联系。

Note: The winch is not designed for operations involving lifting or moving personnel. If you need please contract the R&D department.

配流器选型 Distributors Model

供油流量 (L/min) Supply oil flow	型号 Model	A	B
90-150	D240101	φ 35	φ 35
150-260	D480101	φ 50	φ 50



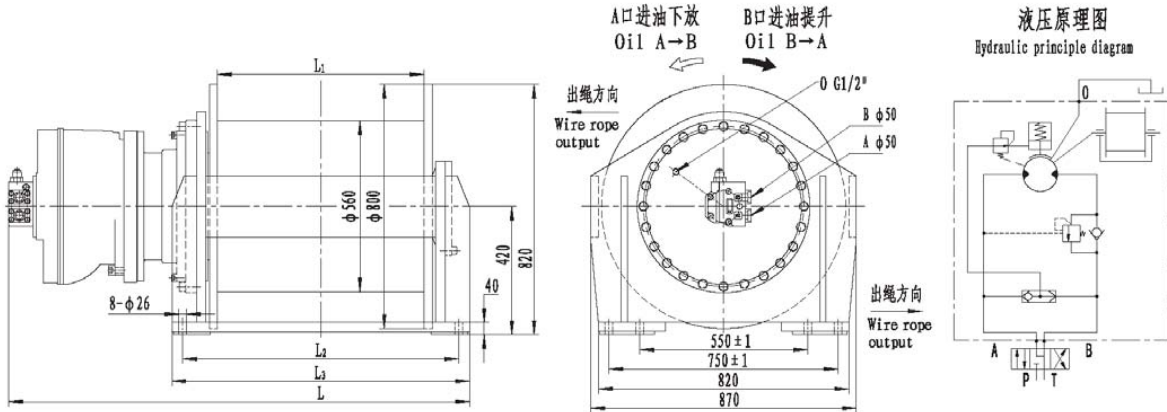
基型 Basic model	型号 Model	第一层 The 1st layer		总排量 Total displacement (ml/rev)	工作压差 Working pressure diff.(MPa)	供油流量 Oil flow supply (L/min)	钢丝绳直径 Rope diameter (mm)	层数 Layer (层)	容绳量 Wire rope capacity (m)	液压马达 型号 Hydraulic motor	行星减速器 型号 Gearbox model	重量 Weight (Kg)			
		拉力(KN) Pull	绳速(m/min) Rope speed												
1	IYJ5-70-136-22-ZP	70	32	9212	13.6	216	22	1 2 3	30 64 101	INM4-1300480101	C5 i=7	800			
	IYJ5-80-110-24-ZP	80	32	9212	15.8	216	24	1 2 3	28 59 94				INM4-1300D480101	C5 i=7	800
	IYJ5-90-158-24-ZP	90	33	11348	14.4	256	24	1 2 3	35 74 116						
2	IYJ5-95-148-26-ZP	95	34	11038.5	15.6	256	26	1 2 3	32 69 109	INM5-2000D480101	C5D i=5.5	1050			
	IYJ5-100-177-26-ZP	100	34	11038.5	16.4	260	26	1 2 3	39 82 130				INM5-2000D480101	C5D i=5.5	1100
	IYJ5-110-177-26-ZP	110	32	11698.5	17	260	26	1 2 3	39 82 130						
4	IYJ5-120-142-28-ZP	120	27	13821.5	15.7	260	28	1 2 3	42 90 142	INM6-2500D480101	C5D i=5.5	1300			
	IYJ5-130-142-28-ZP	130	27	13821.5	17.0	260	28	1 2 3	42 90 142				INM6-2500D480101	C5D i=5.5	1300

注：本系列绞车不允许载人，如有需要必须与本公司技术部门联系。

Note: The winch is not designed for operations involving lifting or moving personnel. If you need please contract the R&D department.

外形尺寸 Profile Dimension

	L1 (mm)	L2 (mm)	L3 (mm)	L4 (mm)	L (mm)	D (mm)
1	450	390	650	720	992	725
2	560	500	760	830	1193	750
3	670	610	870	940	1212	770
4	780	720	980	1050	1413	770



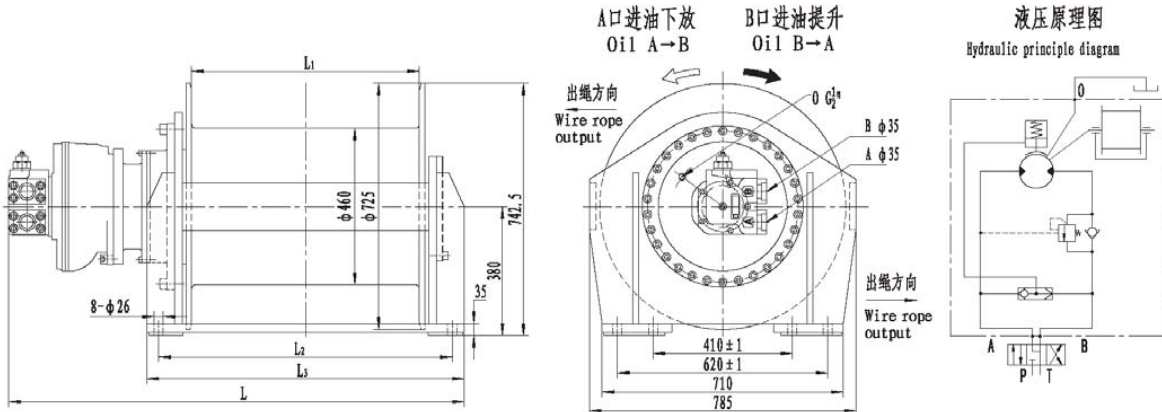
基型 Basic model	型号 Model	第一层 The 1st layer		总排量 Total displacement (ml/rev)	工作压差 Working pressure diff.(MPa)	供油流量 Oil flow supply (L/min)	钢丝绳直径 Rope diameter (mm)	层数 Layer (层)	容绳量 Wire rope capacity (m)	液压马达 型号 Hydraulic motor	行星减速器 型号 Gearbox model	重量 Weight (Kg)
		拉力(KN) Pull	绳速(m/min) Rope speed									
1	IYJ6-100-127-26-ZP	100	34	14049	15.6	280	26	1	38	INM5-2000D480101	C6 i=7	1200
								2	81			
								3	127			
1	IYJ6-110-115-28-ZP	110	34	14049	17	280	28	1	35	INM5-2000D480101	C6 i=7	1200
								2	74			
								3	115			
2	IYJ6-120-140-28-ZP	120	28	17591	15	280	28	1	44	INM6-2500D480101	C6 i=7	1450
								2	93			
								3	140			
2	IYJ6-125-135-30-ZP	125	28	17591	15.7	280	30	1	41	INM6-2500D480101	C6 i=7	1450
								2	86			
								3	135			
3	IYJ6-130-163-30-ZP	130	28	17591	16.4	280	30	1	49	INM6-2500D480101	C6 i=7	1600
								2	103			
								3	163			
3	IYJ6-140-163-30-ZP	140	28	17591	17.6	280	30	1	49	INM6-2500D480101	C6 i=7	1600
								2	103			
								3	163			
4	IYJ6-145-198-30-ZP	145	29	16725.5	18.9	280	30	1	61	INM6-3000D480101	C6D i=5.5	1780
								2	129			
								3	204			
4	IYJ6-150-198-30-ZP	150	29	16725.5	19.6	280	30	1	61	INM6-3000D480101	C6D i=5.5	1780
								2	129			
								3	204			

注：本系列绞车不允许载人，如有需要必须与本公司技术部门联系。

Note: The winch is not designed for operations involving lifting or moving personnel. If you need please contract the R&D department.

外形尺寸 Profile Dimension

	L1 (mm)	L2 (mm)	L3 (mm)	L (mm)
1	550	776	846	1381
2	678	904	974	1509
3	800	1026	1096	1631
4	1000	1226	1296	1831



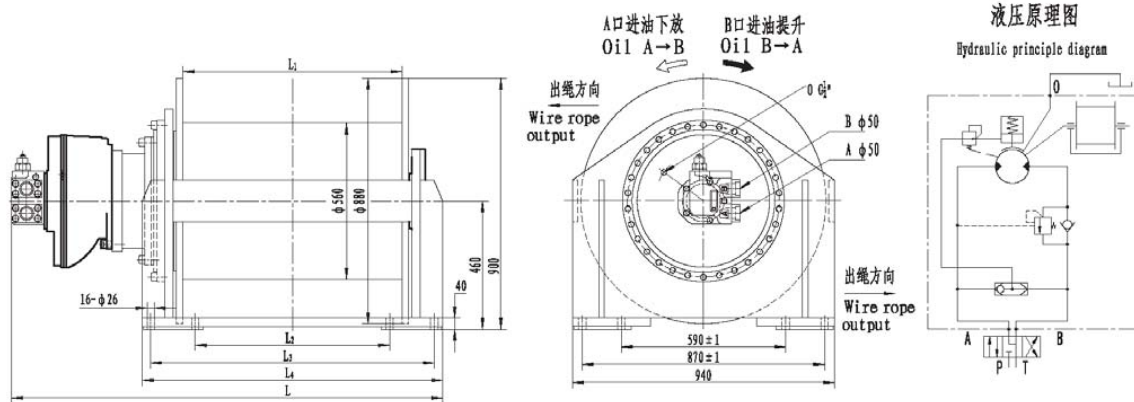
基型 Basic model	型号 Model	第一层 The 1st layer		总排量 Total displacement (ml/rev)	工作压差 Working pressure diff.(MPa)	供油流量 Oil flow supply (L/min)	钢丝绳直径 Rope diameter (mm)	层数 Layer (层)	容绳量 Wire rope capacity (m)	液压马达 型号 Hydraulic motor	行星减速器 型号 Gearbox model	重量 Weight (Kg)
		拉力 (KN) Pull	绳速 (m/min) Rope speed									
1	IYJ45-100-I11-26-ZP	100	19	13804	13.5	180	26	1 2 3	33 70 111	INM2-500D240101	C45 i=28	960
	IYJ45-110-111-26-ZP	110	19	13804	14.8	180	26	1 2 3	33 70 111			
	IYJ45-120-122-28-ZP	120	19	13804	16.3	180	28	1 2 3	36 77 122			
2	IYJ45-130-I22-28-ZP	130	16	16660	14.6	180	28	1 2 3	36 77 122	INM3-600D240101	C45 i=28	1120
	IYJ45-140-138-30-ZP	140	16	16660	15.8	180	30	1 2 3	41 87 138			
	IYJ45-145-138-30-ZP	145	16	16660	16.3	180	30	1 2 3	41 87 138			
3	IYJ45-150-163-32-ZP	150	14	19320	14.6	180	32	1 2 3	48 102 163	INM3-700D240101	C45 i=28	1480
	IYJ45-160-163-32-ZP	160	14	19320	15.6	180	32	1 2 3	48 102 163			
	IYJ45-150-163-32-ZP	150	14	19320	14.6	180	32	1 2 3	48 102 163			

注：本系列绞车不允许载人，如有需要必须与本公司技术部门联系。

Note: The winch is not designed for operations involving lifting or moving personnel. If you need please contract the R&D department.

外形尺寸 Profile Dimension

	L1 (mm)	L2 (mm)	L3 (mm)	L (mm)
1	570	766	836	1262
2	671	865	935	1342
3	800	994	1064	1471
4	1000	1194	1264	1671



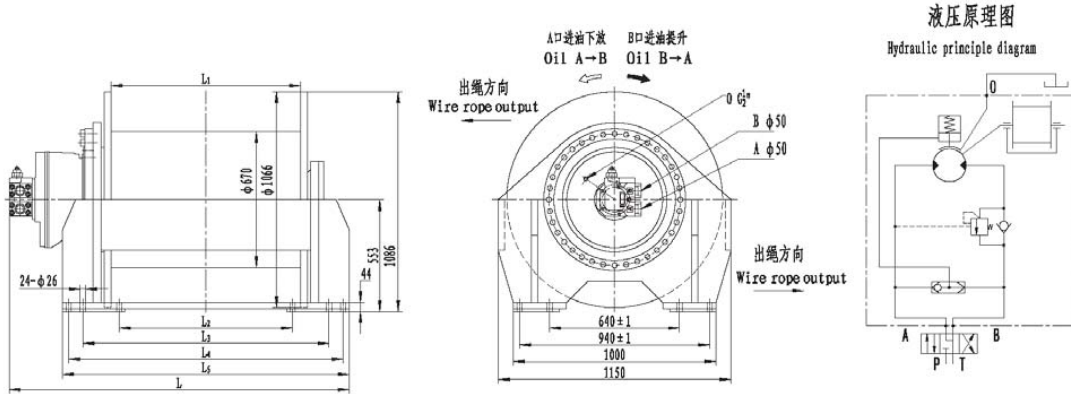
基型	型号 Model	第一层		总排量	工作压差	供油流量	钢丝绳直径	层数	容绳量	液压马达	行星减速器	重量
		拉力 (KN)	绳速 (m/min)									
		Pull	Rope speed	Total displacement (ml/rev)	Working pressure diff. (MPa)	Oil flow supply (L/min)	Rope diameter (mm)	Layer (层)	Wire rope capacity (m)	Hydraulic motor	Gearbox model	Weight (Kg)
1	IYJ56-120-160-30-ZP	120	27	18080	15	280	30	1	48	INM4-900D480101P	C56 i=20	1450
							2	102				
							3	160				
2	IYJ56-130-160-30-ZP	130	27	18080	16.2	280	30	1	48	INM4-900D480101P	C56 i=20	1450
							2	102				
							3	160				
2	IYJ56-140-183-30-ZP	140	24	20440	15.5	280	30	1	55	INM4-1000D480101P	C56 i=20	1450
							2	116				
							3	183				
2	IYJ56-150-183-30-ZP	150	24	20440	16.6	280	30	1	55	INM4-1000D480101P	C56 i=20	1450
							2	116				
							3	183				
3	IYJ56-160-188-32-ZP	160	21	23700	15.2	280	32	1	56	INM5-1200D480101P	C56 i=20	1650
							2	119				
							3	188				
3	IYJ56-170-188-32-ZP	170	21	23700	16.1	280	32	1	56	INM5-1200D480101P	C56 i=20	1650
							2	119				
							3	188				
4	IYJ56-180-196-34-ZP	180	18	26800	15.3	280	34	1	59	INM5-1300D480101P	C56 i=20	1750
							2	124				
							3	196				
4	IYJ56-200-187-36-ZP	200	18	26800	17	280	36	1	56	INM5-1300D480101P	C56 i=20	1750
							2	118				
							3	187				

注：本系列绞车不允许载人，如有需要必须与本公司技术部门联系。

Note: The winch is not designed for operations involving lifting or moving personnel. If you need please contract the R&D department.

外形尺寸 Profile Dimension

	L1 (mm)	L2 (mm)	L3 (mm)	L4 (mm)	L (mm)
1	786	698	1018	1078	1547
2	900	812	1132	1192	1661
3	1000	912	1232	1292	1761
4	1100	1012	1332	1392	1805



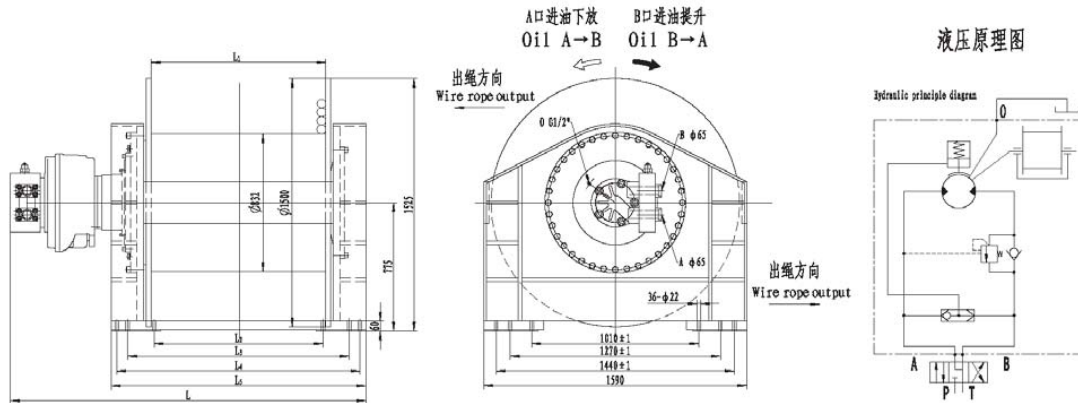
基型 Basic model	型号 Model	第一层 The 1st layer		总排量 Total displacement (ml/rev)	工作压差 Working pressure diff(MPa)	供油流量 Oil flow supply (L/min)	钢丝绳直径 Rope diameter (mm)	层数 Layer (层)	容量 Wire rope capacity (m)	液压马达 型号 Hydraulic motor	行星减速器 型号 Gearbox model	重量 Weight (Kg)
		拉力(KN) Pull	绳速(m/min) Rope speed									
1	IYJ67-150-211-32-ZP	150	20	29092	13.9	280	32	1	64	INM5-1000D480101	C67 i=28	2000
								2	134			
								3	211			
1	IYJ67-160-211-32-ZP	160	20	29092	14.8	280	32	1	64	INM5-1000D480101	C67 i=28	2000
								2	134			
								3	211			
2	IYJ67-180-224-36-ZP	180	18	33180	14.7	280	36	1	67	INM5-1200D480101	C67 i=28	2220
								2	142			
								3	224			
2	IYJ67-200-224-36-ZP	200	18	33180	16.3	280	36	1	67	INM5-1200D480101	C67 i=20	2220
								2	142			
								3	224			
3	IYJ67-250-232-40-ZP	250	13	45752	14.8	280	40	1	69	INM5-1600D480101	C67 i=28	2390
								2	147			
								3	232			
3	IYJ67-280-232-40-ZP	280	13	45750	16.6	280	40	1	69	INM5-1600D480101	C67 i=28	2390
								2	147			
								3	232			
3	IYJ67-300-214-44-ZP	300	12	50848	16.1	280	44	1	63	INM5-1800D480101	C67 i=28	2450
								2	135			
								3	214			
3	IYJ67-320-214-44-ZP	320	12	50848	17.2	280	44	1	63	INM5-1800D480101	C67 i=28	2450
								2	135			
								3	214			

注：本系列绞车不允许载人，如有需要必须与本公司技术部门联系。

Note: The winch is not designed for operations involving lifting or moving personnel. If you need please contract the R&D department.

外形尺寸 Profile Dimension

	L1 (mm)	L2 (mm)	L3 (mm)	L4 (mm)	L5 (mm)	L (mm)
1	936	855	1215	1355	1415	1679
2	1100	1019	1379	1519	1579	1843
3	1250	1169	1529	1669	1729	1993



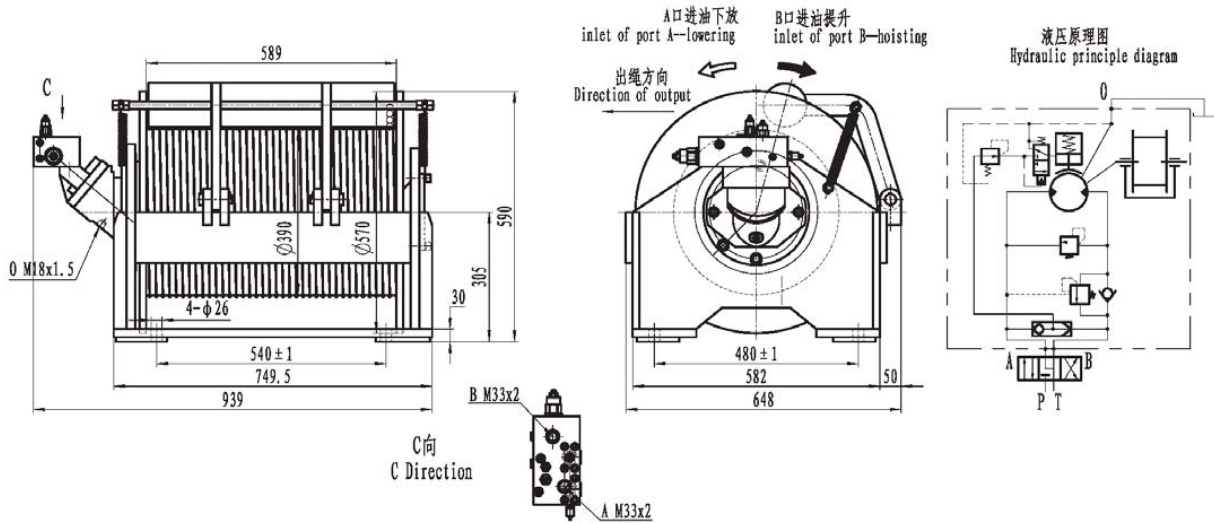
基型 Basic model	型号 Model	第一层 The 1st layer		总排量 Total displacement (ml/rev)	工作压差 Working pressure diff.(MPa)	供油流量 Oil flow supply (L/min)	钢丝绳直径 Rope diameter (mm)	层数 Layer (层)	容绳量 Wire rope capacity (m)	液压马达 型号 Hydraulic motor	行星减速器 型号 Gearbox model	重量 Weight (Kg)
		拉力(KN) Pull	绳速(m/min) Rope speed									
1	IYJ79-300-253-46-ZP	300	16.8	70728	14	480	46	1	55	INM7-2500D720101	C79 i=28	3500
								2	115			
								3	181			
								4	253			
1	IYJ79-400-253-46-ZP	400	16.8	83580	16	480	46	1	55	INM7-3000D720101	C79 i=28	3500
								2	115			
								3	181			
								4	253			
2	IYJ79-500-261-52-ZP	500	10	120344	14	480	52	1	55	INM7-4300D720101	C67 i=28	4000
								2	117			
								3	186			
								4	261			
2	IYJ79-550-261-52-ZP	550	10	120344	15.5	480	52	1	55	INM7-4300D720101	C67 i=28	4000
								2	117			
								3	186			
								4	261			

注: 本系列绞车不允许载人, 如有需要必须与本公司技术部门联系。

外形尺寸 Profile Dimension

	L1 (mm)	L2 (mm)	L3 (mm)	L4 (mm)	L5 (mm)	L6 (mm)
1	895	860	1190	1320	1390	1897
2	1055	1020	1350	1480	1550	2057

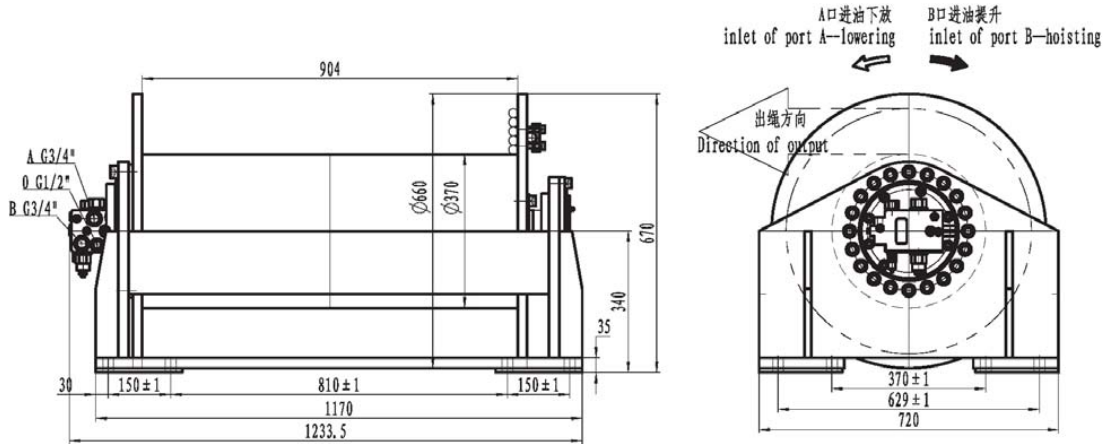
Note: The winch is not designed for operations involving lifting or moving personnel. If you need please contract the R&D department.



型号 Model	第一层 The 1st layer		总排量 Total displacement (ml/rev)	工作压差 Working pressure diff. (MPa)	供油流量 Supply oil flow (L/min)	钢丝绳直径 Diameter of rope (mm)	层数 Layer	容量 Capacity of rope (m)	液压马达 Hydraulic motor 型号	行星减速器 Gearbox 型号	重量 Weight (kg)
	拉力 Pull (KN)	绳速 Rope speed (m/min)									
IYJ23-20-164-14-ZPG	20	100	1486.7	20.8	130	14	1	46	A2FE56	IGC17W2 i=26.5	920
							2	103			
							3	164			
IYJ23-25-164-14-ZPG	25	100	1486.7	26.1	130	14	1	46	A2FE56	IGC17W2 i=26.5	920
							2	103			
							3	164			
IYJ23-30-144-16-ZPG	30	74	2103.8	22.2	130	16	1	39	A2FE56	IGC17W2 i=37.2	920
							2	90			
							3	144			
IYJ23-35-144-16-ZPG	35	74	2103.8	26.6	130	16	1	39	A2FE56	IGC17W2 i=37.5	920
							2	90			
							3	144			
IYJ23-40-144-16-ZPG	40	68	2362.5	27.0	140	16	1	39	A2FE63	IGC17W2 i=37.5	920
							2	90			
							3	144			

注：本系列绞车不允许载人，如有需要必须与本公司技术部门联系。

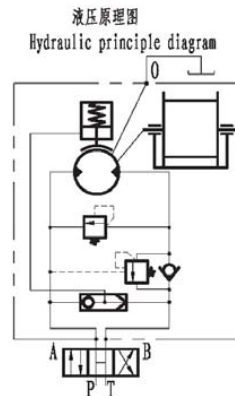
Note: The winch is not designed for operations involving lifting or moving personnel. If you need please contract the R&D department.

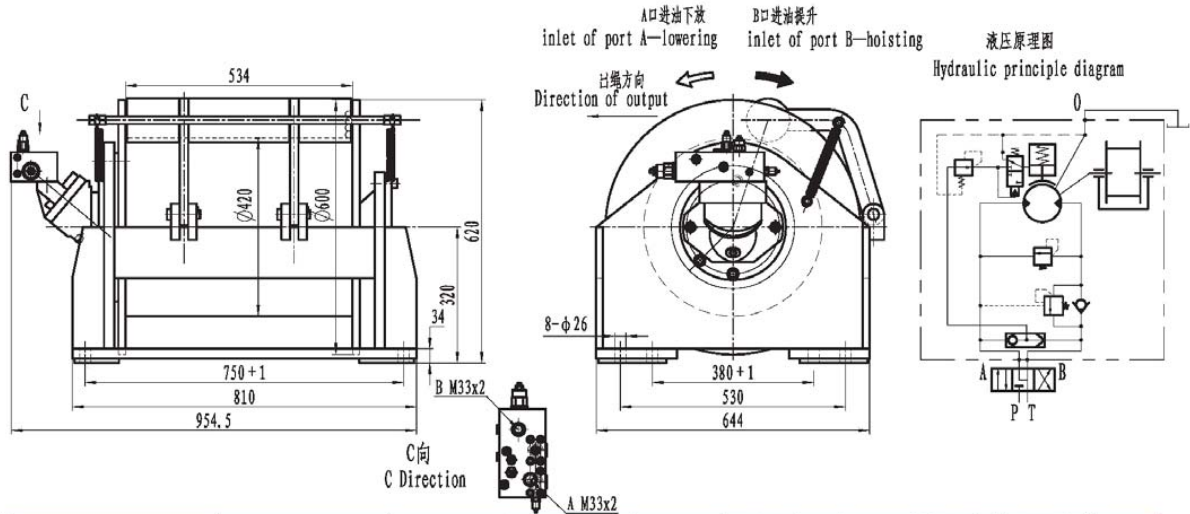


型号 Model	第一层 The 1st layer		总排量 Total displacement (ml/rev)	工作压差 Working pressure diff. (MPa)	供油流量 Supply oil flow (L/min)	钢丝绳直径 Diameter of rope (mm)	层数 Layer	容量 Capacity of rope (m)	液压马达 型号 Hydraulic motor	行星减速器 型号 Gearbox model	重量 Weight (kg)
	拉力 Pull (KN)	绳速 Rope speed (m/min)									
IYJ333-70-168-20-ZPG	70	25.5	6216.9	17.1	142	20	1	50	IM69	IGC24W3 i=90.1	700
							2	106			
							3	168			
IYJ333-80-168-20-ZPG	80	22.5	7027.8	17.1	142	20	1	50	IM78	IGC24W3 i=90.1	700
							2	106			
							3	168			
IYJ333-90-168-22-ZPG	90	22.5	7027.8	19.3	142	22	1	50	IM78	IGC24W3 i=90.1	700
							2	106			
							3	168			
IYJ333-100-168-22-ZPG	100	20	7865.7	19.1	142	22	1	50	IM87	IGC24W3 i=90.1	700
							2	106			
							3	168			

注：本系列绞车不允许载人，如有需要必须与本公司技术部门联系。

Note: The winch is not designed for operations involving lifting or moving personnel. If you need please contract the R&D department.

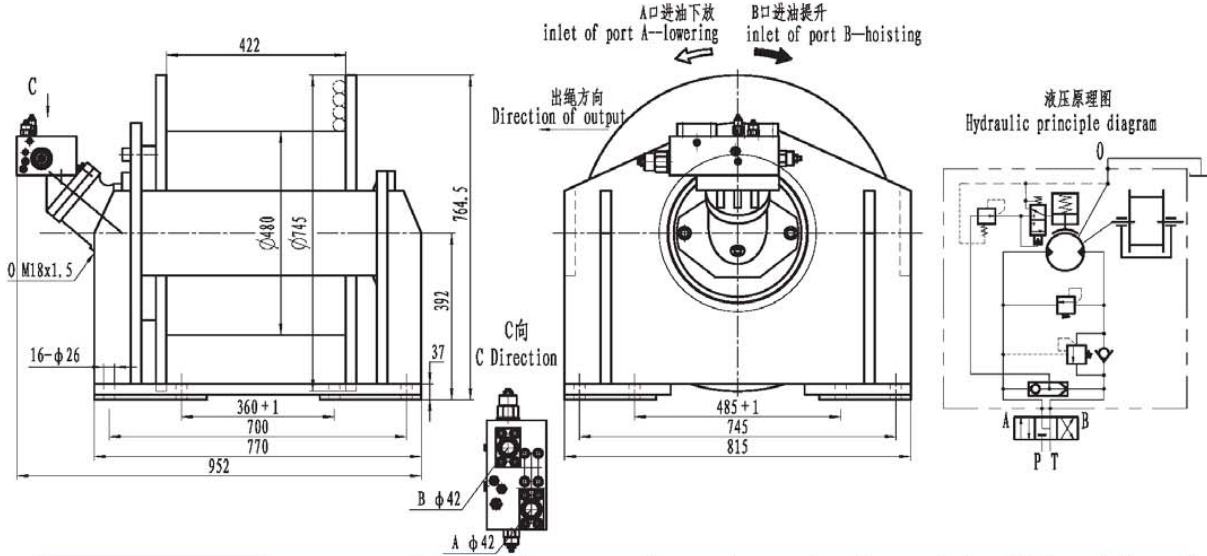




型号 Model	第一层 The 1st layer		总排量 Total displacement (ml/rev)	工作压差 Working pressure diff. (MPa)	供油流量 Supply oil flow (L/min)	钢丝绳直径 Diameter of rope (mm)	层数 Layer	容量 Capacity of rope (m)	液压马达 Hydraulic motor 型号	行星减速器 Gearbox 型号	重量 Weight (kg)
	拉力 Pull (KN)	绳速 Rope speed (m/min)									
IYJ344-60-178-18-ZPG	60	54	3807.5	27.1	160	18	1	37	A2FE56	IGC36W3 i=67.87	960
							2	81			
							3	129			
							4	178			
IYJ344-70-117-20-ZPG	70	47	4403.9	27.5	160	20	1	33	A2FE56	IGC36W3 i=78.50	960
							2	74			
							3	117			
IYJ344-80-117-20-ZPG	80	37	5559.5	25	160	20	1	33	A2FE56	IGC36W3 i=78.50	960
							2	74			
							3	117			
IYJ344-90-108-22-ZPG	90	38	5559.5	28.1	160	22	1	30	A2FE56	IGC36W3 i=99.10	960
							2	67			
							3	108			
IYJ344-100-100-24-ZPG	100	29	7281	24	160	24	1	28	A2FE56	IGC36W3 i=99.10	960
							2	62			
							3	100			
IYJ344-110-100-24-ZPG	110	29	7281	26.5	160	24	1	28	A2FE56	IGC36W3 i=99.10	960
							2	62			
							3	100			
IYJ344-120-100-24-ZPG	120	29	7281	28.6	160	24	1	28	A2FE56	IGC36W3 i=99.10	960
							2	62			
							3	100			

注：本系列绞车不允许载人，如有需要必须与本公司技术部门联系。

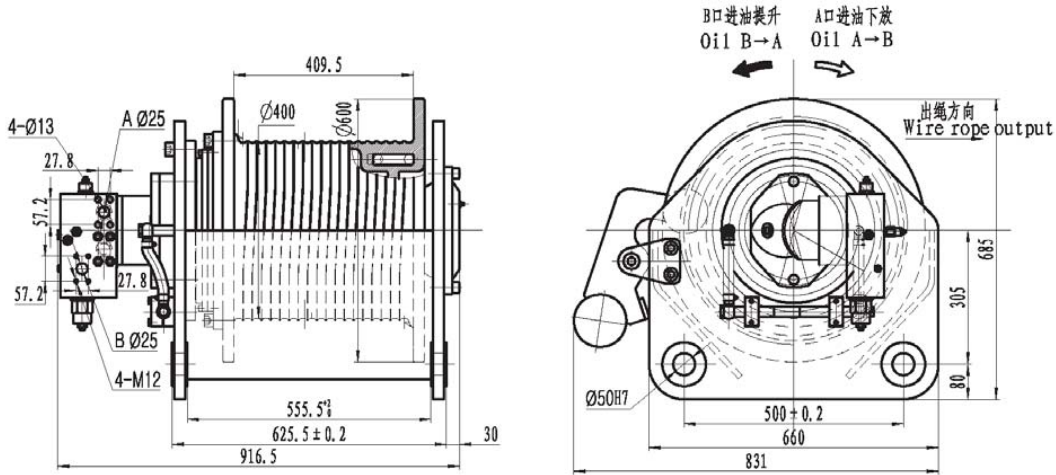
Note: The winch is not designed for operations involving lifting or moving personnel. If you need please contract the R&D department.



型号 Model	第一层 The 1st layer		总排量 Total displacement (ml/rev)	工作压差 Working pressure diff. (MPa)	供油流量 Supply oil flow (L/min)	钢丝绳直径 Diameter of rope (mm)	层数 Layer	容绳量 Capacity of rope (m)	液压马达 型号 Hydraulic motor	行星减速器 型号 Gearbox model	重量 Weight (kg)
	拉力 Pull (KN)	绳速 Rope speed (m/min)									
IYJ34.54.5-100-115-26-ZPG	100	41	7638	25.4	210	26	1	22	A2FE80	IGC60W3 i=95	1300
							2	51			
							3	82			
							4	115			
IYJ34.54.5-110-115-26-ZPG	110	41	7638	27.9	210	26	1	22	A2FE80	IGC60W3 i=95	1300
							2	51			
							3	82			
							4	115			
IYJ34.54.5-120-115-26-ZPG	120	34	9181.7	25.4	210	26	1	22	A2FE80	IGC60W3 i=114.2	1300
							2	51			
							3	82			
							4	115			
IYJ34.54.5-130-108-28-ZPG	130	34	9181.7	27.6	210	28	1	21	A2FE80	IGC60W3 i=114.2	1300
							2	47			
							3	77			
							4	108			
IYJ34.54.5-140-108-28-ZPG	140	30	10725.4	25.4	210	28	1	21	A2FE80	IGC455 i=133.4	1300
							2	47			
							3	77			
							4	108			
IYJ34.54.5-150-108-28-ZPG	150	30	10725.4	27.2	210	28	1	21	A2FE80	IGC455 i=133.4	1300
							2	47			
							3	77			
							4	108			

注：本系列绞车不允许载人，如有需要必须与本公司技术部门联系。

Note: The winch is not designed for operations involving lifting or moving personnel. If you need please contract the R&D department.



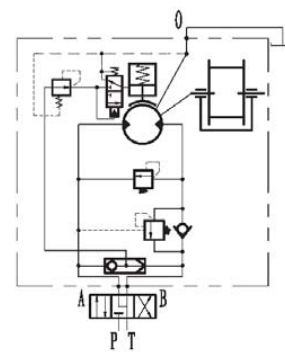
主要技术参数

Main Specification

型号	Model	IYJ455-102-82-20-ZPG		
第三层拉力	Pull on the 3rd layer (kN)	102		
第一层绳速	Speed on the 1st layer (m/min)	42		
总排量	Total displacement (ml/r)	6134.4		
工作压差	Work pressure diff. (MPa)	32		
供油流量	Oil flow supply (L/min)	220		
钢丝绳直径	Rope diameter (mm)	20		
层数	layer	1	2	3
容量	Wire rope capacity (m)	25	52	82
液压马达型号	Hydraulic motor	A2FE80/6.1WVZL10		
行星减速器型号	Gearbox model	IGC60W3 i=76.68		

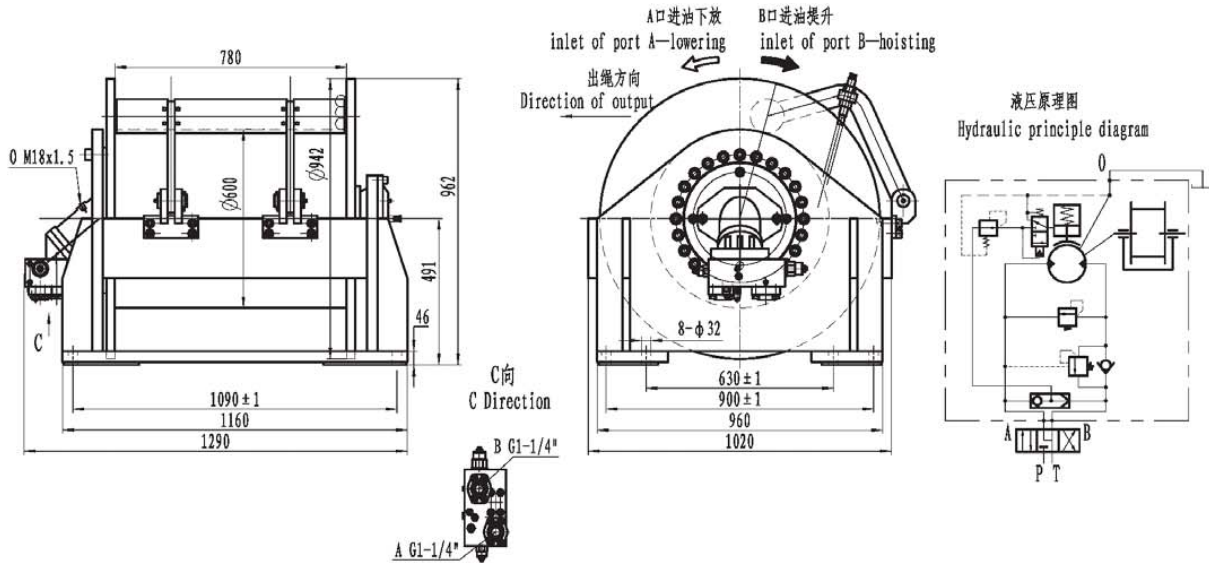
液压原理图

Hydraulic principle diagram



注：本系列绞车不允许载人，如有需要必须与本公司技术部门联系。

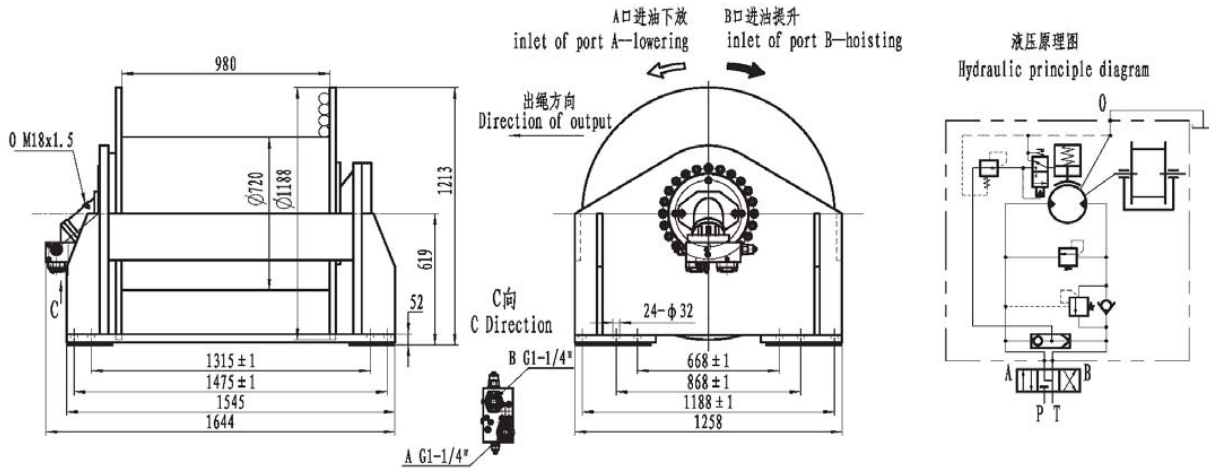
Note: The winch is not designed for operations involving lifting or moving personnel. If you need please contract the R&D department.



型号 Model	第一层 The 1st layer		总排量 Total displacement (ml/rev)	工作压差 Working pressure diff. (MPa)	供油流量 Supply oil flow (L/min)	钢丝绳直径 Diameter of rope (mm)	层数 Layer	容绳量 Capacity of rope (m)	液压马达 型号 Hydraulic motor	行星减速器 型号 Gearbox model	重量 Weight (kg)
	拉力 Pull (KN)	绳速 Rope speed (m/min)									
IYJ35.55.5-150-256-26-ZPG	150	50	13425.5	26.9	363	26	1	55	A2FE160	IGC80W3 i=83.7	1700
							2	119			
							3	188			
							4	256			
IYJ35.55.5-160-241-28-ZPG	160	50	13425.5	28.7	363	28	1	51	A2FE160	IGC80W3 i=83.7	1700
							2	111			
							3	176			
							4	241			
IYJ35.55.5-170-228-30-ZPG	170	43	15799.4	26.0	363	30	1	48	A2FE160	IGC80W3 i=98.5	1700
							2	104			
							3	166			
							4	228			
IYJ35.55.5-180-216-32-ZPG	180	43	15799.4	27.6	363	32	1	45	A2FE160	IGC80W3 i=98.5	1700
							2	98			
							3	156			
							4	216			
IYJ35.55.5-200-200-34-ZPG	200	37	18205.4	26.7	363	34	1	42	A2FE160	IGC80W3 i=113.5	1700
							2	93			
							3	148			
							4	200			

注：本系列绞车不允许载人，如有需要必须与本公司技术部门联系。

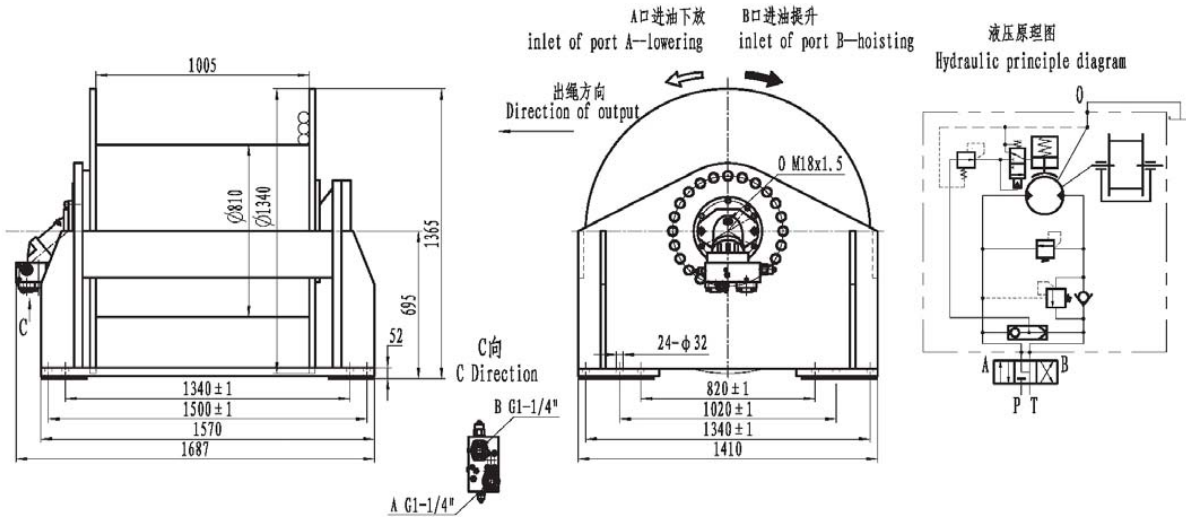
Note: The winch is not designed for operations involving lifting or moving personnel. If you need please contract the R&D department.



型号 Model	第一层 The 1st layer		总排量 Total displacement (ml/rev)	工作压力 Working pressure diff. (MPa)	供油流量 Supply oil flow (L/min)	钢丝绳直径 Diameter of rope (mm)	层数 Layer	容绳量 Capacity of rope (m)	液压马达型号 Hydraulic motor	行星减速器型号 Gearbox model	重量 Weight (kg)
	拉力 Pull (KN)	绳速 Rope speed (m/min)									
IYJ477-200-300-34-ZPG	200	34	25952.7	22.7	400	34	1	65	A2FE125	IGC160W3 i=161.8	2600
							2	139			
							3	220			
							4	300			
IYJ477-250-280-36-ZPG	250	35	25952.7	28.4	400	36	1	61	A2FE125	IGC160W3 i=161.8	2600
							2	132			
							3	209			
							4	280			
IYJ477-300-270-38-ZPG	300	26	33812.3	26.3	400	38	1	58	A2FE125	IGC160W3 i=210.8	2600
							2	125			
							3	199			
							4	270			
IYJ477-320-260-40-ZPG	320	27	33812.3	27.6	400	40	1	55	A2FE160	IGC160W3 i=210.8	2600
							2	120			
							3	190			
							4	260			
IYJ477-350-250-42-ZPG	350	27	33812.3	30.8	400	42	1	52	A2FE160	IGC160W3 i=210.8	2600
							2	114			
							3	183			
							4	250			

注：本系列绞车不允许载人，如有需要必须与本公司技术部门联系。

Note: The winch is not designed for operations involving lifting or moving personnel. If you need please contract the R&D department.

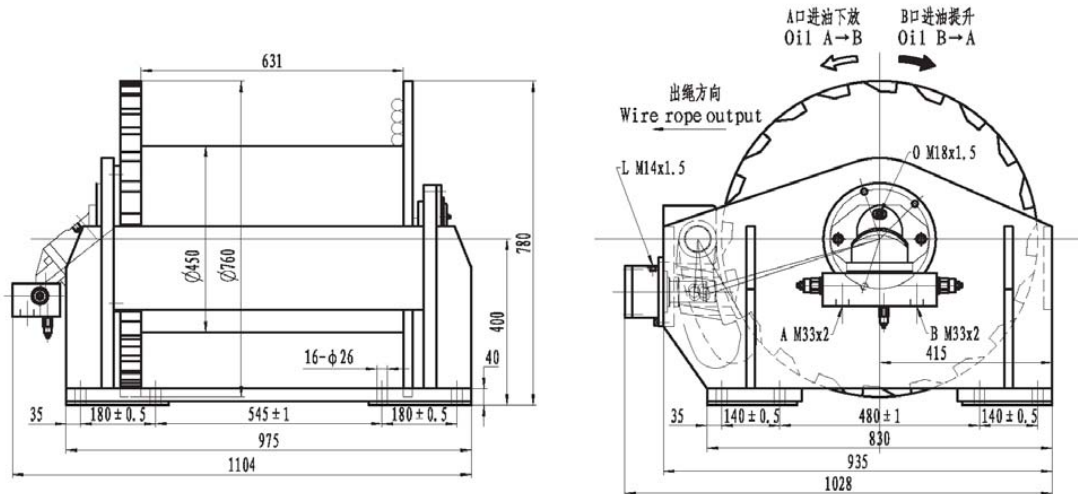


型号 Model	第一层 The 1st layer		总排量 Total	工作压差 Working pressure diff.	供油流量 Supply oil flow	钢丝绳直径 Diameter of rope	层数 Layer	容绳量 Capacity of rope	液压马达型号 Hydraulic motor	行星减速器型号 Gearbox model	重量 Weight
	拉力 Pull (KN)	绳速 Rope speed (m/min)									
IYJ488-350-199-44-ZPG	350	21.5	46997.2	24.8	400	44	1	58	A2FE160	IGC220W3 i=245.9	3200
							2	125			
							3	199			
IYJ488-400-192-46-ZPG	400	22	46997.2	28.1	400	46	1	55	A2FE160	IGC220W3 i=293.0	3200
							2	120			
							3	192			
IYJ488-450-185-48-ZPG	450	22	52740.0	28.1	450	48	1	53	A2FE180	IGC220W3 i=293.0	3200
							2	116			
							3	185			
IYJ488-480-178-50-ZPG	480	20	56340.0	28.1	450	50	1	51	A2FE180	IGC220W3 i=313.0	3200
							2	111			
							3	178			
IYJ488-500-178-50-ZPG	500	20	56340.0	29.3	450	50	1	51	A2FE180	IGC220W3 i=313.0	3200
							2	111			
							3	178			

注：本系列绞车不允许载人，如有需要必须与本公司技术部门联系。

Note: The winch is not designed for operations involving lifting or moving personnel. If you need please contract the R&D department.

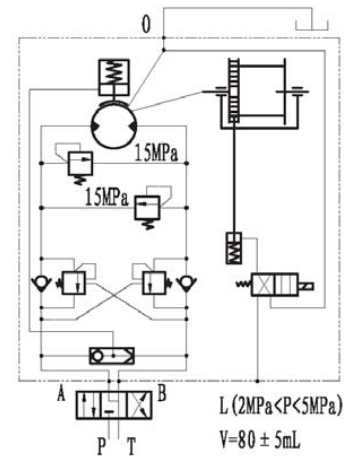
344-50-167-26-ZPGS



主要技术参数
Main Specification

型号	Model	IYJ344-50-167-26-ZPGS			
第四层拉力	Pull on the 4th layer (kN)	50			
支持拉力	Support pull (kN)	170			
平均绳速	Speed (m/min)	7.4			
总排量	Total displacement (ml/r)	9949.15			
工作压差	Work pressure diff. (MPa)	13			
供油流量	Oil flow supply (L/min)	48			
钢丝绳直径	Rope diameter (mm)	26			
层数	layer	1	2	3	4
容绳量	Wire rope capacity (m)	35	75	119	167
液压马达型号	Hydraulic motor	A2FE56/6.1WVAL10			
行星减速器型号	Gearbox model	IGC36 i=177.35			

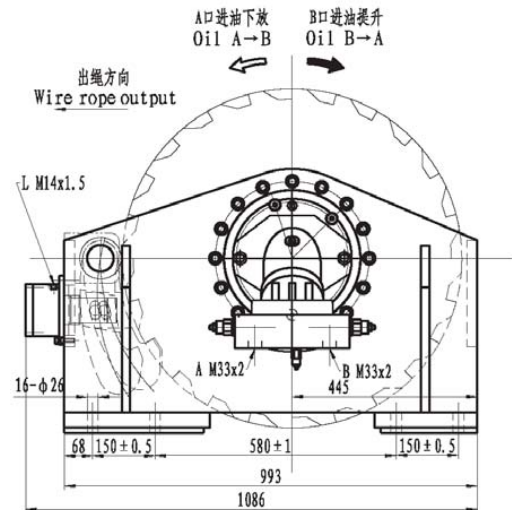
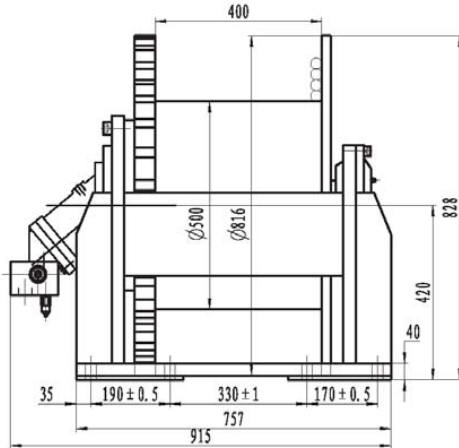
液压原理图
Hydraulic principle diagram



注：本系列绞车不允许载人，如有需要必须与本公司技术部门联系。

Note: The winch is not designed for operations involving lifting or moving personnel. If you need please contract the R&D department.

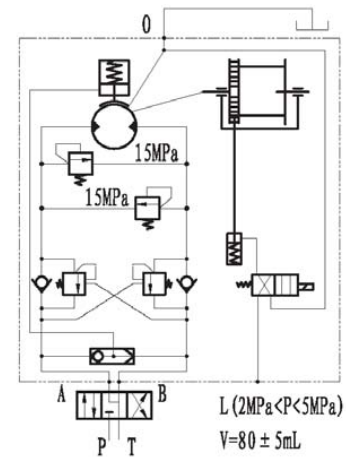
455-130-113-26-ZPGS



主要技术参数
Main Specification

型号	Model	IYJ455-130-113-26-ZPGS			
第四层拉力	Pull on the 4th layer (kN)	130			
平均绳速	Speed (m/min)	6			
总排量	Total displacement (ml/r)	16602.5			
工作压差	Work pressure diff. (MPa)	21			
供油流量	Oil flow supply (L/min)	58			
钢丝绳直径	Rope diameter (mm)	26			
层数	layer	1	2	3	4
容绳量	Wire rope capacity (m)	24	52	81	113
液压马达型号	Hydraulic motor	A2FB107/6.1WVZL10			
行星减速器型号	Gearbox model	IGC60 i=155.6			

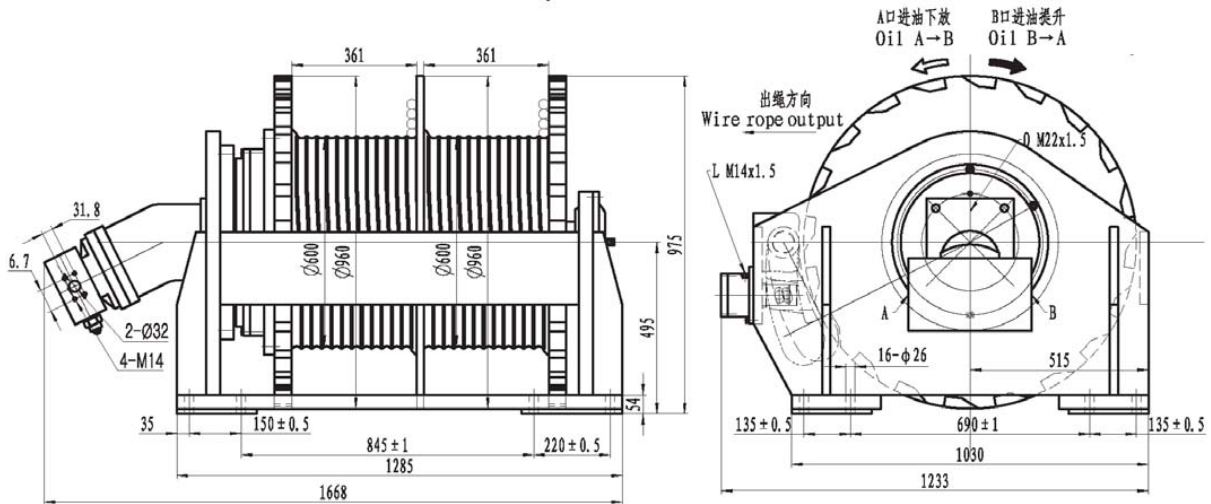
液压原理图
Hydraulic principle diagram



注：本系列绞车不允许载人，如有需要必须与本公司技术部门联系。

Note: The winch is not designed for operations involving lifting or moving personnel. If you need please contract the R&D department.

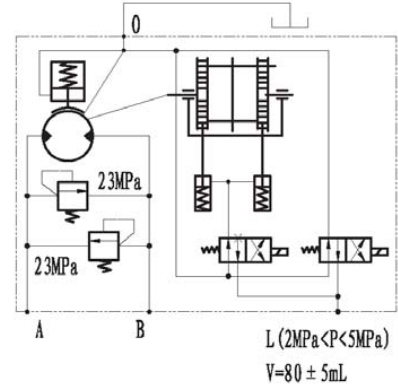
477-153x2-107x2-28-ZPGS



主要技术参数
Main Specification

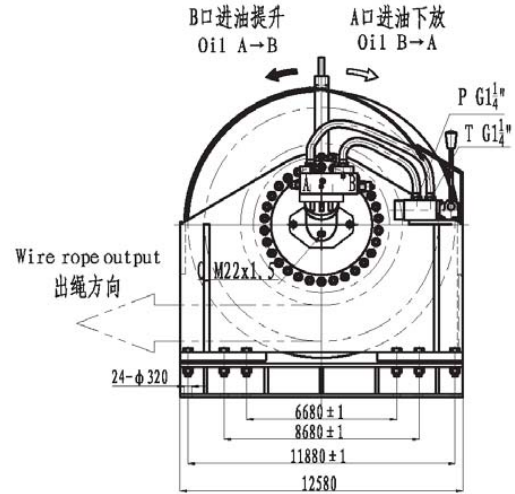
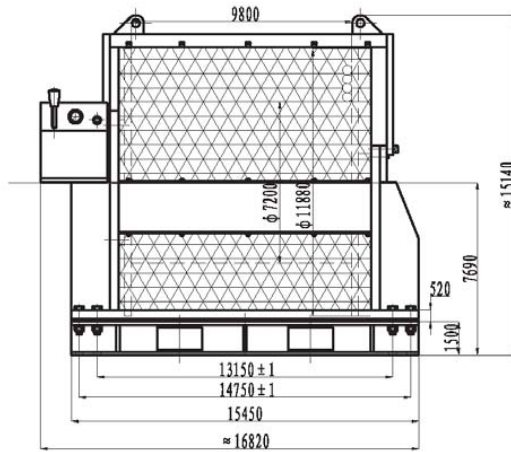
型号	Model	IYJ477-153x2-107x2-28-ZPGS			
第四层拉力	Pull on the 4th layer (kN)	153x2			
平均绳速	Speed (m/min)	10			
总排量	Total displacement (ml/r)	46250			
工作压差	Work pressure diff. (MPa)	21			
供油流量	Oil flow supply (L/min)	220			
钢丝绳直径	Rope diameter (mm)	28			
层数	layer	1	2	3	4
容绳量	Wire rope capacity (m)	23	49	77	107
液压马达型号	Hydraulic motor	A2F250WSZ1			
行星减速器型号	Gearbox model	IGC160 i=185			

液压原理图
Hydraulic principle diagram



注：本系列绞车不允许载人，如有需要必须与本公司技术部门联系。

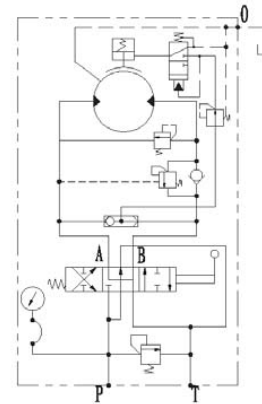
Note: The winch is not designed for operations involving lifting or moving personnel. If you need please contract the R&D department.



主要技术参数
Main Specification

型号	Model	IYJ477-320-260-40-ZPG
第一层拉力	Pull on the 1st layer (kN)	320
第一层绳速	Speed on the 1st layer (m/min)	9.5
总排量	Total displacement (ml/r)	36410.8
工作压差	Work pressure diff. (MPa)	280
供油流量	Oil flow supply (L/min)	157 ($\eta=0.93$)
钢丝绳直径	Rope diameter (mm)	40
层数	layer	4
容绳量	Wire rope capacity (m)	260
液压马达型号	Hydraulic motor	A2FE160/6.1WVZL10
行星减速器型号	Gearbox model	IGC160W3-B227-A2FE160 (i=227)

液压原理图
Hydraulic principle diagram



- 注: 1. 马达泄漏口“0”必须接回液压系统油箱, 不允许连接至主油路。
2. 换向阀中位机能必须为“Y”型或“H”型。
3. 液压绞车不允许载人。
4. 若有特殊要求请与我们销售部门联系

- Note: 1. The drain port of the hydraulic motor must be separately connected to the hydraulic reservoir.
2. The directional control valve should be of a “Y” or “H” type in neutral position to assure the brake and activated.
3. The winch is not designed for operation involving lifting or moving personnel.
4. When there is no winch type available which meets your requirements, we ask you to contact our sales department for a specific design.