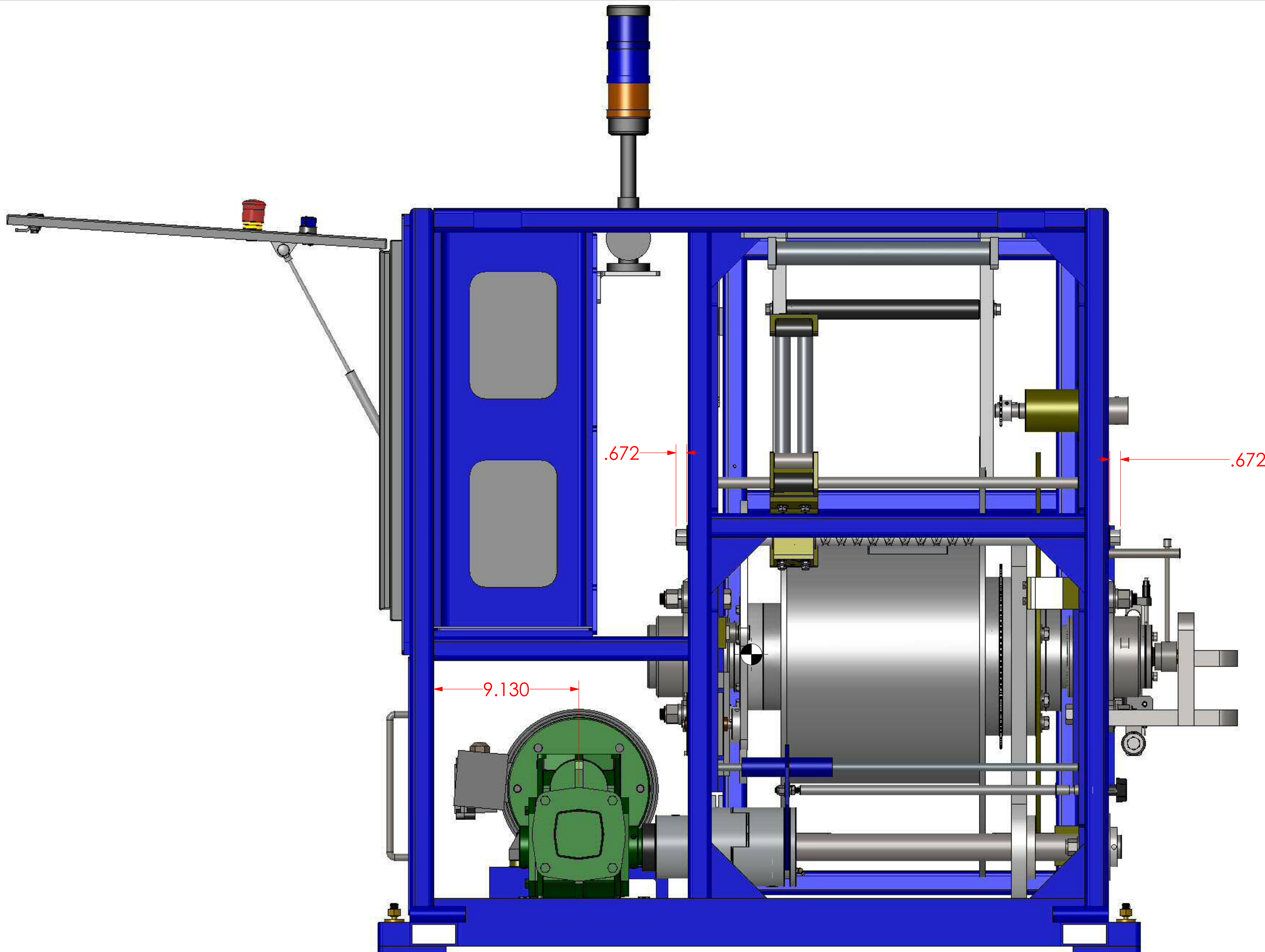


Items	Spec.
Drum Size (Flange x Core x Width):	27" x 16" x 12"
Motor:	LEESON 5HP 1800RPM 400VAC 3PH CAST IRON BRAKE MOTOR
Gearbox:	LEESON E42HE STEEL GEARBOX (21.15:1)
Drive Sprocket:	60B27
Drum Sprocket:	60A60
Cable Size:	610m of 8.2mm Rochester Coax Cable
Levelwind Drum Sprocket:	35A60
Levelwind Gearbox Input Sprocket:	35B60
Levelwind Gearbox Output Sprocket:	35B24
Reversing Screw Sprocket:	35B30 (Installed) / 35B32
Emergency Stop Switch:	YES
Electric Brake:	25FT-LB BRAKE
Slip Ring:	AGO-SR08 316 SS BARREL SLIP RING
Revision Note :	Single Electrical box, 15m extended joystick cable with dual LED E-Stop
Winch S/N:	
Winch Weight (lbs.):	954.914

NOTE:
1. Cover not shown

UNLESS OTHERWISE SPECIFIED: DIMENSIONS ARE IN INCHES TOLERANCES: FRACTIONAL: ± 1/16 ANGULAR: MACH ± 1° BEND ± 1° TWO PLACE DECIMAL: ± .01 THREE PLACE DECIMAL: ± .001		DRAWN Donald Lo	NAME Donald Lo	DATE Apr 02, 2015	A.G.O Environmental Electronics Victoria, B.C. Canada, V9A 3L4 TITLE: CSW 7 ASSEMBLY (ENCLOSED FRAME DESIGN) (GSE - 5HP SYSTEM 2015)
MATERIAL:	ENG APPR.	Q.A.	COMMENTS:	SIZE DWG. NO. REV C CSW7-110A 2	
FINISH:				SCALE: 1:12 SHEET 1 OF 6	
DO NOT SCALE DRAWING					



UNLESS OTHERWISE SPECIFIED:
 DIMENSIONS ARE IN INCHES
 TOLERANCES:
 FRACTIONAL: ± 1/16
 ANGULAR: MACH ± 1° BEND ± 1°
 TWO PLACE DECIMAL: ± .01
 THREE PLACE DECIMAL: ± .001

MATERIAL:
 FINISH:
 DO NOT SCALE DRAWING

NAME	DATE
DRAWN Donald Lo	Apr 02, 2015
CHECKED	
ENG APPR.	
MFG APPR.	
Q.A.	
COMMENTS:	

A.G.O Environmental Electronics Victoria, B.C. Canada, V9A 3L4		
TITLE: CSW 7 ASSEMBLY (FRONT VIEW) (ENCLOSED) (GSE - 5HP SYSTEM 2015)		
SIZE	DWG. NO.	REV
C	CSW7-110A	2
SCALE: 1:12	SHEET 2 OF 6	



UNLESS OTHERWISE SPECIFIED:
 DIMENSIONS ARE IN INCHES
 TOLERANCES:
 FRACTIONAL: ± 1/16
 ANGULAR: MACH ± 1° BEND ± 1°
 TWO PLACE DECIMAL: ± .01
 THREE PLACE DECIMAL: ± .001

MATERIAL:
 FINISH:

DO NOT SCALE DRAWING

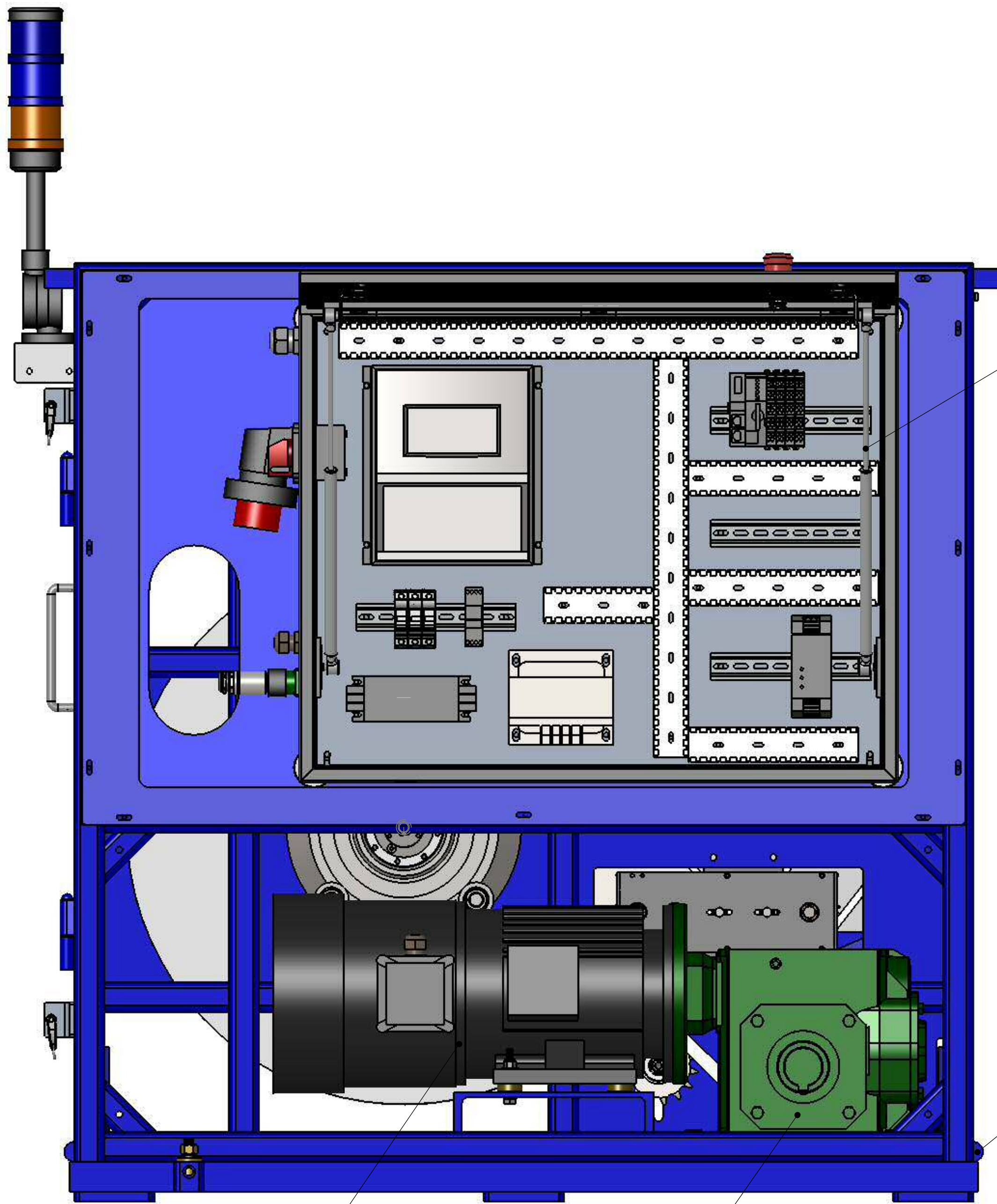
	NAME	DATE
DRAWN	Donald Lo	Apr 02, 2015
CHECKED		
ENG APPR.		
MFG APPR.		
Q.A.		
COMMENTS:		

A.G.O Environmental Electronics
 Victoria, B.C. Canada, V9A 3L4

TITLE: CSW 7 ASSEMBLY
 (LEFT VIEW)
 (ENCLOSED FRAME DESIGN)
 (GSE - 5HP SYSTEM 2015)

SIZE	DWG. NO.	REV
C	CSW7-110A	2

SCALE: 1:12 SHEET 3 OF 6



Lid flip upward
2 x stainless steel gas spring to support the lid
inside the box

1/2" Round for
strap protection

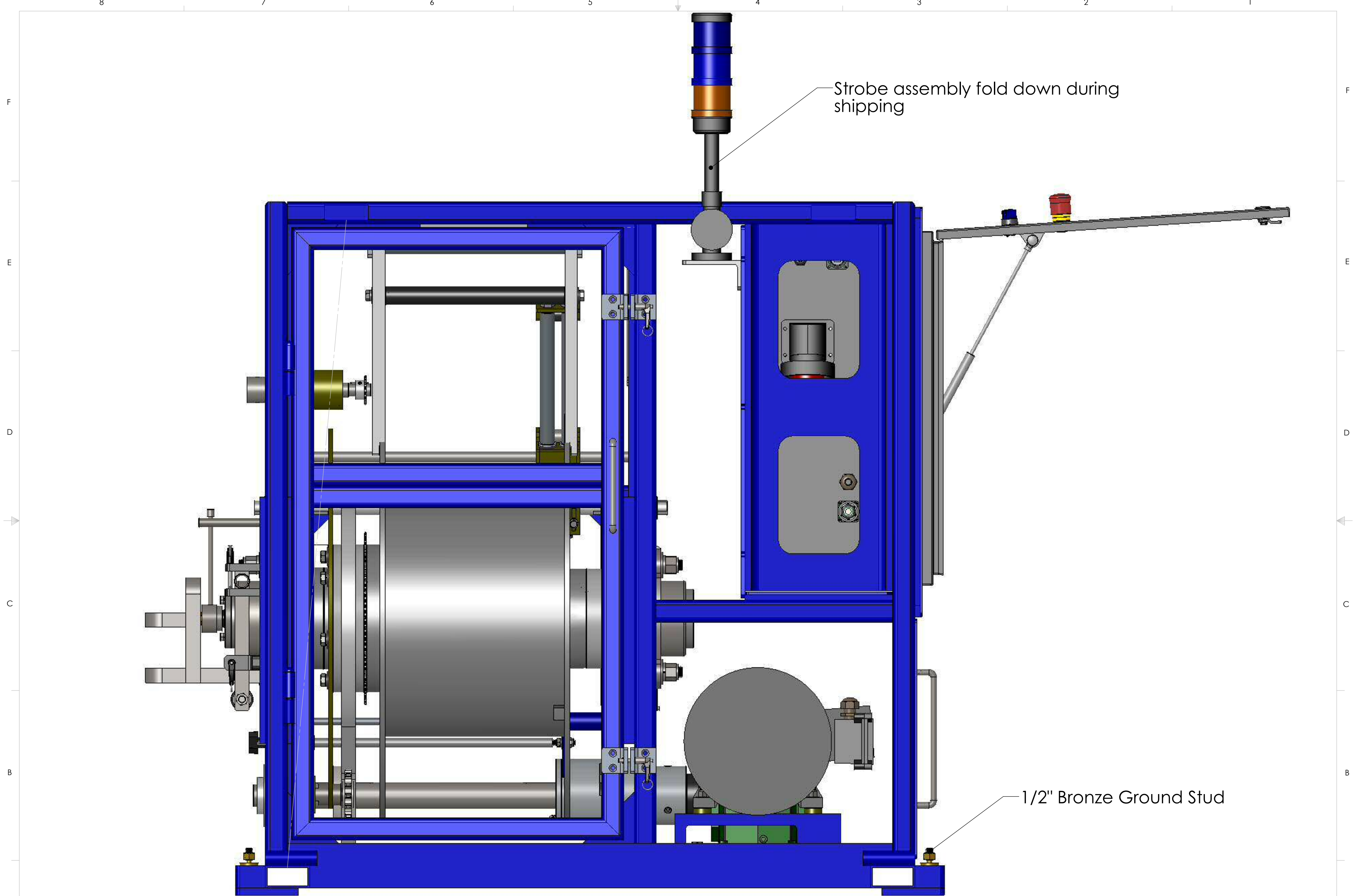
5HP AC Cast Iron Brake Motor

E42HE Steel Gearbox

UNLESS OTHERWISE SPECIFIED:	
DIMENSIONS ARE IN INCHES	
TOLERANCES:	
FRACTIONAL:	± 1/16
ANGULAR: MACH ± 1° BEND	± 1°
TWO PLACE DECIMAL:	± .01
THREE PLACE DECIMAL:	± .001
MATERIAL:	
FINISH:	
DO NOT SCALE DRAWING	

DRAWN	NAME	DATE
CHECKED		
ENG APPR.		
MFG APPR.		
Q.A.		
COMMENTS:		

A.G.O Environmental Electronics Victoria, B.C. Canada, V9A 3L4		
TITLE: CSW 7 ASSEMBLY (RIGHT VIEW) (ENCLOSED FRAME DESIGN) (GSE - 5HP SYSTEM 2015)		
SIZE	DWG. NO.	REV
C	CSW7-110A	2
SCALE: 1:12		SHEET 4 OF 6



Strobe assembly fold down during shipping

1/2" Bronze Ground Stud

UNLESS OTHERWISE SPECIFIED:
 DIMENSIONS ARE IN INCHES
 TOLERANCES:
 FRACTIONAL: ± 1/16
 ANGULAR: MACH ± 1° BEND ± 1°
 TWO PLACE DECIMAL: ± .01
 THREE PLACE DECIMAL: ± .001

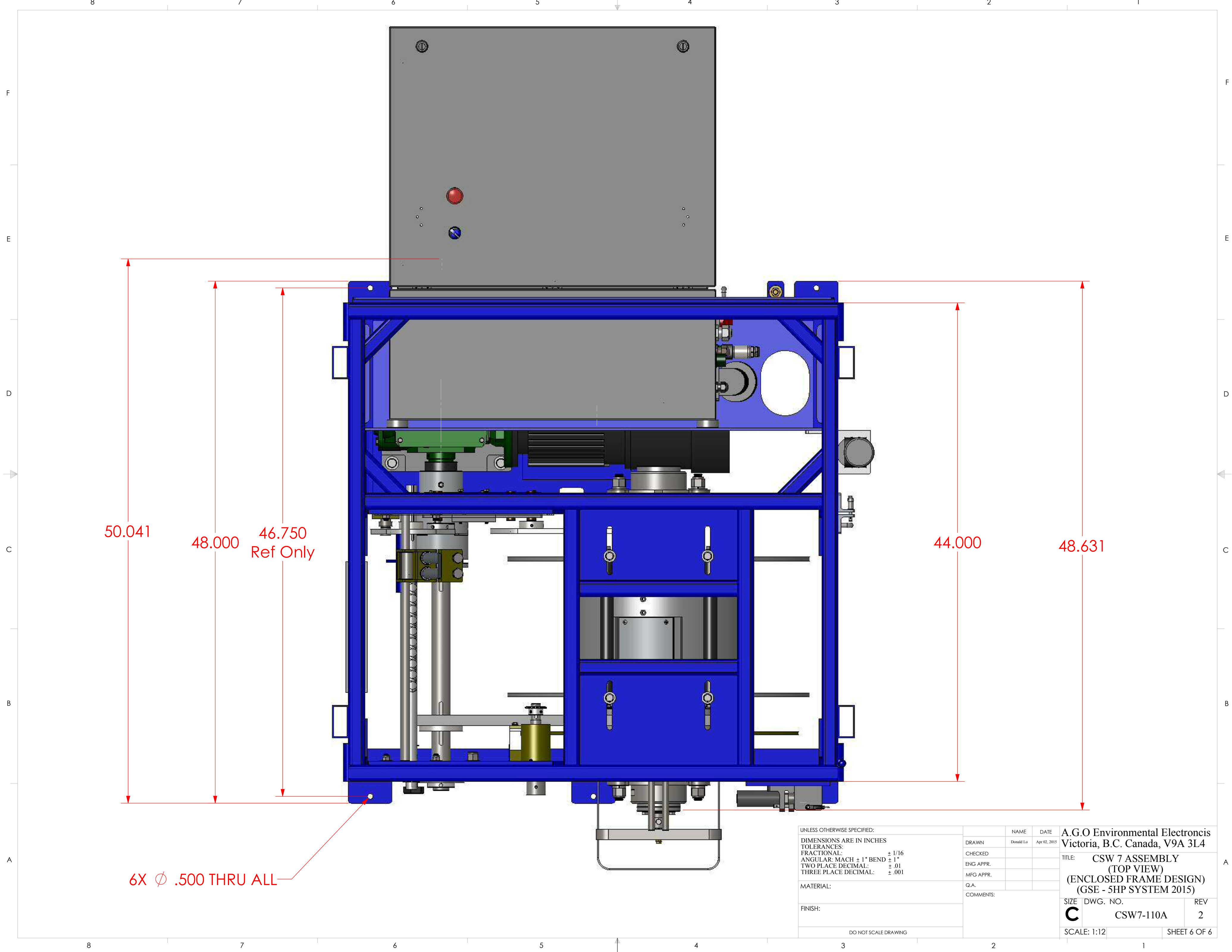
MATERIAL:

FINISH:

DO NOT SCALE DRAWING

	NAME	DATE
DRAWN	Donald Lo	Apr 02, 2015
CHECKED		
ENG APPR.		
MFG APPR.		
Q.A.		
COMMENTS:		

A.G.O Environmental Electronics Victoria, B.C. Canada, V9A 3L4		
TITLE: CSW 7 ASSEMBLY (BACK VIEW) (ENCLOSED FRAME) (GSE - 5HP SYSTEM 2015)		
SIZE	DWG. NO.	REV
C	CSW7-110A	2
SCALE: 1:12	SHEET 5 OF 6	



50.041

48.000

46.750
Ref Only

44.000

48.631

6X Ø .500 THRU ALL

UNLESS OTHERWISE SPECIFIED:
 DIMENSIONS ARE IN INCHES
 TOLERANCES:
 FRACTIONAL: ± 1/16
 ANGULAR: MACH ± 1° BEND ± 1°
 TWO PLACE DECIMAL: ± .01
 THREE PLACE DECIMAL: ± .001

MATERIAL:

FINISH:

DO NOT SCALE DRAWING

	NAME	DATE
DRAWN	Donald Lo	Apr 02, 2015
CHECKED		
ENG APPR.		
MFG APPR.		
Q.A.		
COMMENTS:		

A.G.O Environmental Electronics Victoria, B.C. Canada, V9A 3L4		
TITLE: CSW 7 ASSEMBLY (TOP VIEW) (ENCLOSED FRAME DESIGN) (GSE - 5HP SYSTEM 2015)		
SIZE	DWG. NO.	REV
C	CSW7-110A	2
SCALE: 1:12	SHEET 6 OF 6	